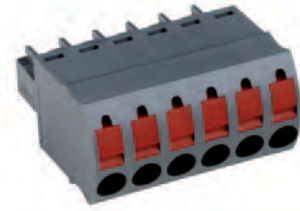





# AK4551/..KD-3.5-BASALT GREY AKZ4551/..KD-3.81-BASALT GREY



### Technical Data

Wire Sizes		Insulating Material	
Solid min	0.14 mm <sup>2</sup>	Material	PA 6.6
Solid max	2.5 mm <sup>2</sup>	Flammability Class	UL 94 V-0
Stranded (flexible) min	0.14 mm <sup>2</sup>	<b>Temperatures</b>	
Stranded (flexible) max	1.5 mm <sup>2</sup>	Operating Temperature	-30 °C - 105 °C
Stranded with Ferrule min	0.25 mm <sup>2</sup>	<b>Wave Soldering Process</b>	
Stranded with Ferrule max	1.0 mm <sup>2</sup>	Soldering Temperature, recommended	-
<b>Dimensions</b>		Peak Soldering Time, recommended	-
Stripped Length	11.0 mm	<b>Reflow Process</b>	
PCB Hole Diameter	-	Soldering Temperature, recommended	-
<b>Materials</b>		Peak Soldering Time, recommended	-
Contact Spring	Copper Alloy		
Clamp Spring	Stainless Steel		

### Colours

	BASALT GREY, RAL 7012		GREEN, RAL 6018
	LIGHT GREEN, similar RAL 6018		

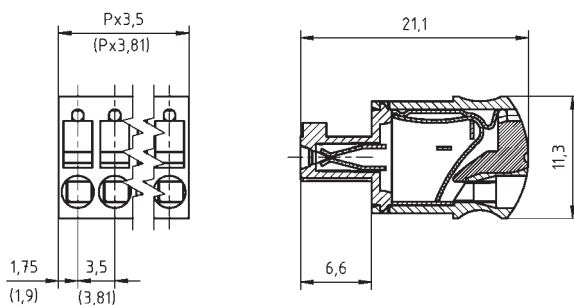
Colours according to RAL, there may be variations on colour due to production conditions. Special colours on request.

### Counterparts (Spacing 3.5 mm)

Pin Strip  
STL1550

### Counterparts (Spacing 3.81 mm)

Pin Strip  
STLZ1550 STLZ1570 STLZ1590



### Order Data (Spacing 3.5 mm)

Poles	Width (mm)	Article Designation	Article Number	PU
2	7.00	AK4551/2KD-3.5-BASALT GREY	54551020401F	200
3	10.50	AK4551/3KD-3.5-BASALT GREY	54551030401F	200
4	14.00	AK4551/4KD-3.5-BASALT GREY	54551040401F	200
5	17.50	AK4551/5KD-3.5-BASALT GREY	54551050401F	200
6	21.00	AK4551/6KD-3.5-BASALT GREY	54551060401E	100
7	24.50	AK4551/7KD-3.5-BASALT GREY	54551070401E	100
8	28.00	AK4551/8KD-3.5-BASALT GREY	54551080401D	50
9	31.50	AK4551/9KD-3.5-BASALT GREY	54551090401D	50
...	...	...	...	...
20	70.00	AK4551/20KD-3.5-BASALT GREY	54551200401D	50

### Order Data (Spacing 3.81 mm)

Poles	Width (mm)	Article Designation	Article Number	PU
2	7.62	AKZ4551/2KD-3.81-BASALT GREY	54551020421F	200
3	11.43	AKZ4551/3KD-3.81-BASALT GREY	54551030421F	200
4	15.24	AKZ4551/4KD-3.81-BASALT GREY	54551040421F	200
5	19.05	AKZ4551/5KD-3.81-BASALT GREY	54551050421F	200
6	22.86	AKZ4551/6KD-3.81-BASALT GREY	54551060421E	100
7	26.67	AKZ4551/7KD-3.81-BASALT GREY	54551070421E	100
8	30.48	AKZ4551/8KD-3.81-BASALT GREY	54551080421D	50
9	34.29	AKZ4551/9KD-3.81-BASALT GREY	54551090421D	50
...	...	...	...	...
20	76.20	AKZ4551/20KD-3.81-BASALT GREY	54551200421D	50

### Accessories

Figure	Designation	Article Number
	Series AK(Z)4551 with pull relief	on request

See pages 282 ff for detail and general accessories and see pages 12/13 concerning services.

### Ratings

Usegroup	UL		VDE	
	B	C	D	
Rated Voltage	300 V	-	300 V	160 V
Rated Current	10 A	-	10 A	10 A
Overvoltage Category				III
Rated Wire Size			min	max
	solid	AWG 26-16	-	AWG 26-16 0.14 mm <sup>2</sup> (3 A) 2.5 mm <sup>2</sup> (10 A)
	stranded	AWG 26-16	-	AWG 26-16 0.14 mm <sup>2</sup> (3 A) 1.5 mm <sup>2</sup> (10 A)
Test Voltage	1.6 kV	-	1.6 kV	2.5 kV
Pollution Degree				3