




AK4561/..KD-3.5-BASALT GREY AKZ4561/..KD-3.81-BASALT GREY



Technical Data

Wire Sizes		Insulating Material	
Solid min	0.14 mm ²	Material	PA 6.6
Solid max	2.5 mm ²	Flammability Class	UL 94 V-0
Stranded (flexible) min	0.14 mm ²	Temperature	
Stranded (flexible) max	1.5 mm ²	Operating Temperature	-30 °C - 105 °C
Stranded with Ferrule min	0.25 mm ²	Wave Soldering Process	
Stranded with Ferrule max	1.0 mm ²	Soldering Temperature, recommended	-
Dimensions		Peak Soldering Time, recommended	-
Stripped Length	11.0 mm	Reflow Process	
PCB Hole Diameter	-	Soldering Temperature, recommended	-
Materials		Peak Soldering Time, recommended	-
Contact Spring	Copper Alloy		
Clamp Spring	Stainless Steel		

Colours

	BASALT GREY, RAL 7012		GREEN, RAL 6018
	LIGHT GREEN, similar RAL 6018		

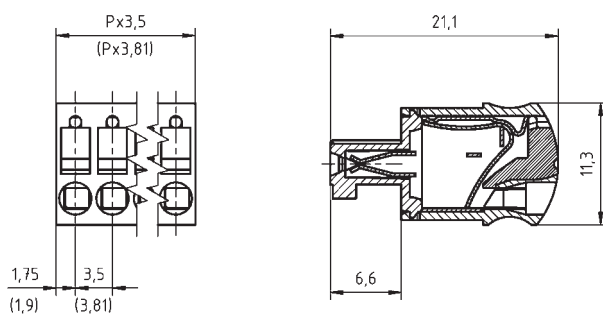
Colours according to RAL, there may be variations on colour due to production conditions. Special colours on request.

Counterparts (Spacing 3.5 mm)

Pin Strip	
STL1550	

Counterparts (Spacing 3.81 mm)

Pin Strip				
STLZ1550	STLZ1570	STLZ1590	AKZS950	AKZS950-INV




Order Data (Spacing 3.5 mm)

Poles	Width (mm)	Article Designation	Article Number	PU
2	7.00	AK4561/2KD-3.5-BASALT GREY	54561020401F	200
3	10.50	AK4561/3KD-3.5-BASALT GREY	54561030401F	200
4	14.00	AK4561/4KD-3.5-BASALT GREY	54561040401F	200
5	17.50	AK4561/5KD-3.5-BASALT GREY	54561050401F	200
6	21.00	AK4561/6KD-3.5-BASALT GREY	54561060401E	100
7	24.50	AK4561/7KD-3.5-BASALT GREY	54561070401E	100
8	28.00	AK4561/8KD-3.5-BASALT GREY	54561080401D	50
9	31.50	AK4561/9KD-3.5-BASALT GREY	54561090401D	50
...
20	70.00	AK4561/20KD-3.5-BASALT GREY	54561200401D	50

Order Data (Spacing 3.81 mm)


Poles	Width (mm)	Article Designation	Article Number	PU
2	7.62	AKZ4561/2KD-3.81-BASALT GREY	54561020421F	200
3	11.43	AKZ4561/3KD-3.81-BASALT GREY	54561030421F	200
4	15.24	AKZ4561/4KD-3.81-BASALT GREY	54561040421F	200
5	19.05	AKZ4561/5KD-3.81-BASALT GREY	54561050421F	200
6	22.86	AKZ4561/6KD-3.81-BASALT GREY	54561060421E	100
7	26.67	AKZ4561/7KD-3.81-BASALT GREY	54561070421E	100
8	30.48	AKZ4561/8KD-3.81-BASALT GREY	54561080421D	50
9	34.29	AKZ4561/9KD-3.81-BASALT GREY	54561090421D	50
...
20	76.20	AKZ4561/20KD-3.81-BASALT GREY	54561200421D	50

Accessories

Figure	Designation	Article Number
	Series AK(Z)4561 with pull relief	on request

See pages 282 ff for detail and general accessories and see pages 12/13 concerning services.

Ratings

Usegroup	c 					
	B	C	D			
Rated Voltage	300 V	-	300 V	160 V		
Rated Current	10 A	-	10 A	10 A		
Overvoltage Category				III		
Rated Wire Size			min	max		
	solid	AWG 26-16	-	AWG 26-16	0.14 mm ² (3 A)	2.5 mm ² (10 A)
	stranded	AWG 26-16	-	AWG 26-16	0.14 mm ² (3 A)	1.5 mm ² (10 A)
Test Voltage	1.6 kV		1.6 kV		2.5 kV	
Pollution Degree	3					