



AK133/..DSL-5.0-GREY

Technical Data

Wire Sizes		Insulating Material	
Solid min	0.14 mm ²	Material	PA 6.6
Solid max	2.5 mm ²	Flammability Class	UL 94 V-0
Stranded (flexible) min	0.14 mm ²	Temperatures	
Stranded (flexible) max	1.5 mm ²	Operating Temperature	-30 °C - 105 °C
Stranded with Ferrule min	0.14 mm ²	Wave Soldering Process	
Stranded with Ferrule max	1.5 mm ²	Soldering Temperature, recommended	-
Dimensions		Peak Soldering Time, recommended	-
Stripped Length	6.0 mm	Reflow Process	
PCB Hole Diameter	-	Soldering Temperature, recommended	-
Materials		Peak Soldering Time, recommended	-
Clamp	Brass		
Screw	Steel		
Contact Spring	Copper Alloy		

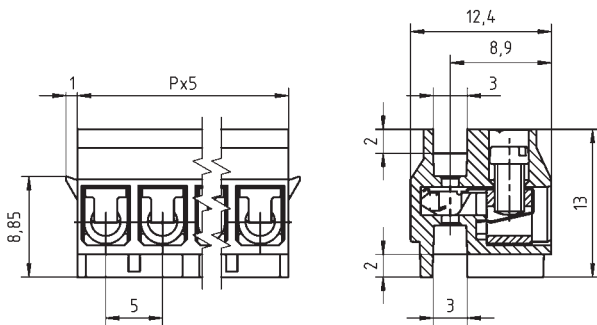
Colours

■ GREY, RAL 7016

Colours according to RAL, there may be variations on colour due to production conditions. Special colours on request.

Counterparts (Spacing 5.0 mm)

Pin Strip
STL133



Order Data (Spacing 5.0 mm)

Poles	Width (mm)	Article Designation	Article Number	PU
2	12.00	AK133/2DSL-5.0-GREY	50133020001G	250
3	17.00	AK133/3DSL-5.0-GREY	50133030001G	250
4	22.00	AK133/4DSL-5.0-GREY	50133040001G	250
5	27.00	AK133/5DSL-5.0-GREY	50133050001G	250
6	32.00	AK133/6DSL-5.0-GREY	50133060001G	250
7	37.00	AK133/7DSL-5.0-GREY	50133070001G	250
8	42.00	AK133/8DSL-5.0-GREY	50133080001E	100
9	47.00	AK133/9DSL-5.0-GREY	50133090001E	100
10	52.00	AK133/10DSL-5.0-GREY	50133100001E	100
11	57.00	AK133/11DSL-5.0-GREY	50133110001E	100
12	62.00	AK133/12DSL-5.0-GREY	50133120001E	100

Accessories

Figure	Designation	Article Number
	Bridge, 2-pole, insulated, BR/2-5.0/5.08-LIGHT GREY	50000000006
	Bridge, 3-pole, insulated, BR/3-5.0/5.08-LIGHT GREY	50000000007
	Bridge, 2-pole, BR/2-5.0/5.08-L7.0	50000000008

See pages 282 ff for detail and general accessories and see pages 12/13 concerning services.

Ratings

Usegroup	B		C		D	
	300 V		-		300 V	
Rated Voltage	300 V		-		300 V	
Rated Current	8 A		-		8 A	
Overvoltage Category					III	
Rated Wire Size					min	max
	solid	AWG 22-12	-	AWG 22-12	0.5 mm ² (5 A)	2.5 mm ² (7 A)
	stranded	AWG 22-14	-	AWG 22-14	0.5 mm ² (5 A)	1.5 mm ² (7 A)
Torque	0.45 Nm		-		0.45 Nm	0.40 Nm
Screw Size	M2.6		-		M2.6	M2.6
Test Voltage	1.6 kV		-		1.6 kV	4.0 kV
Pollution Degree					3	