

# AK2200/..-10.0-H-GREEN

2- to n-poles



### Technical Data

Wire Sizes		Insulating Material	
Solid min	0.2 mm <sup>2</sup>	Material	PA 6.6
Solid max	4.0 mm <sup>2</sup>	Flammability Class	UL 94 V-0
Stranded (flexible) min	0.2 mm <sup>2</sup>	Temperatures	
Stranded (flexible) max	2.5 mm <sup>2</sup>	Operating Temperature	-30 °C - 105 °C
Stranded with Ferrule min	0.25 mm <sup>2</sup>	Wave Soldering Process	
Stranded with Ferrule max	2.5 mm <sup>2</sup>	Soldering Temperature, recommended	265 °C
		Peak Soldering Time, recommended	3 s / 10 s
Dimensions		Reflow Process	
Stripped Length	9.0 mm	Soldering Temperature, recommended	-
PCB Hole Diameter	1.3 mm	Peak Soldering Time, recommended	-
Materials			
Screw	Steel		
Solder Tag	Copper Alloy		
Clamp Cage	Steel		
Excenter	Steel		

### Colours

- GREEN, RAL 6018
- BLACK, RAL 9011
- LIGHT GREEN, similar RAL 6018

Colours according to RAL, there may be variations on colour due to production conditions. Special colours on request.

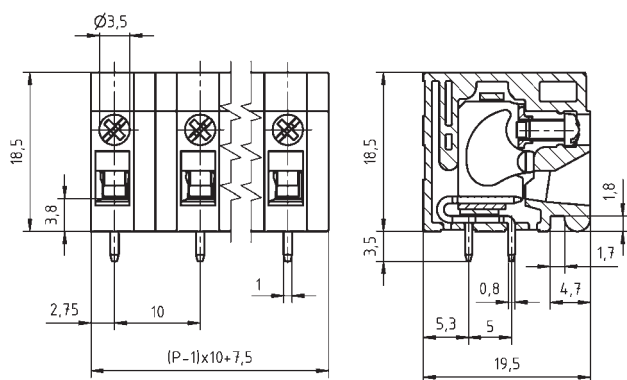
### Order Data (Spacing 10.0 mm)

Poles	Width (mm)	Article Designation	Article Number	PU
2	17.50	AK2200/2-10.0-H-GREEN	52200020091D	50
3	27.50	AK2200/3-10.0-H-GREEN	52200030091D	50
4	37.50	AK2200/4-10.0-H-GREEN	52200040091D	50
5	47.50	AK2200/5-10.0-H-GREEN	52200050091D	50
6	57.50	AK2200/6-10.0-H-GREEN	52200060091D	50
7	67.50	AK2200/7-10.0-H-GREEN	52200070091D	50
8	77.50	AK2200/8-10.0-H-GREEN	52200080091D	50
9	87.50	AK2200/9-10.0-H-GREEN	52200090091D	50
10	97.50	AK2200/10-10.0-H-GREEN	52200100091D	50
11	107.50	AK2200/11-10.0-H-GREEN	52200110091D	50
12	117.50	AK2200/12-10.0-H-GREEN	52200120091D	50

### Accessories

Figure	Designation	Article Number
	Spacer SPC-AK2200-GREEN	52200000002

See pages 282 ff for detail and general accessories and see pages 12/13 concerning services.



### Ratings



Usegroup	B	C	D		
Rated Voltage	600 V	-	600 V	1000 V	
Rated Current	20 A	-	5 A	24 A	
Rated Wire Size				min	max
	solid	AWG 30-12	-	AWG 30-12	0.5 mm <sup>2</sup> / 2.5 mm <sup>2</sup>
	stranded	AWG 30-12	-	AWG 30-12	0.5 mm <sup>2</sup> / 2.5 mm <sup>2</sup>
Torque	0.50 Nm	-	0.50 Nm	0.50 Nm	
Screw Size	M2.5	-	M2.5	M2.5	
Test Voltage	2.2 kV	-	2.2 kV	3.5 kV	