

Series 5082/L

- Sturdy design
- For use in tough conditions
- Long full travel
- Long lifetime
- Spring forces up to 8.0 N

Mechanical Data

Center	6.50 mm/256 mil
Temperature Range	-40 °C - +250 °C
Full Travel	10.00 mm
Working Travel	8.00 mm
Spring Force at Working Travel	see High-Temperature Applications

Electrical Data

Max. Current Rating	5.0...8.0 A
Typical Continuity Resistance	<= 100 mOhm

Materials

Barrel	Brass, gold plated
Spring	Stainless Steel, gold plated
Plunger	CuBe

Recommended Diameter of Drill

without Receptacle

HP 2361.1 (Trolitax)	4.97 mm
----------------------	---------

with Receptacle

HP 2361.1 (Trolitax)	5.59...5.60 mm
HGW 2372	mm

High-Temperature Applications

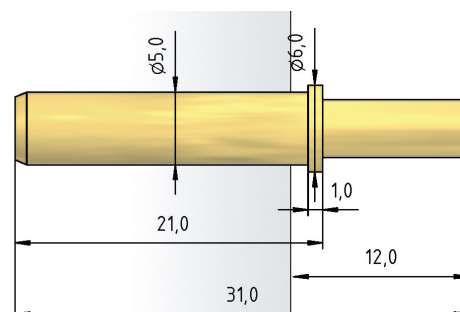
Temperature Range	-40 °C - +250 °C
Pre-Loaded Spring Force	0.40/ 1.00/ 3.00 N
Spring Force at Working Travel (Order Index E)	1.50/ 3.00/ 8.00 N

Tip style - Diameter - Plating

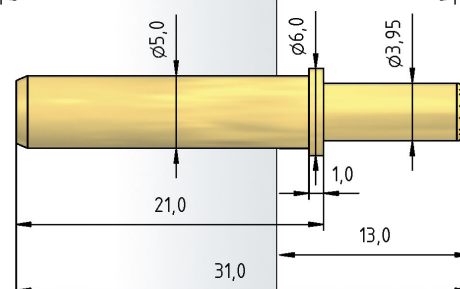


C	D
4.00C Au	4.00C Au

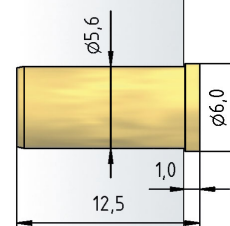
5082/L



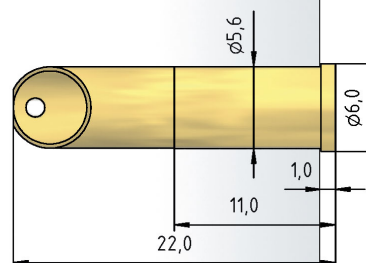
5082/L
(for Tip Style C)



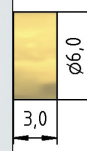
H 5082



H 5082/S.01-22



ZRH 5082/3



How to Order

5082/L - D - 8.0 N - Au - 4.0

1 2 3 4 5

1. Series 2. Tip Style 3. Spring Force
4. Tip Plating 5. Tip Diameter