

Tools and Accessories

A wide range of accessories is available for the professional use of PTR test probes. These include receptacle insertion tools for the ICT test probe range and test probes for use in test modules for cable tests. In addition, we offer screwing tools for our series of test probes with thread, also available as torque screwdrivers. A spring force measuring device, especially suitable for use with the push-back probes needed for the cable test, completes this range. This device makes it possible to carry out the necessary monitoring of contact pressures and their constancy.



Insertion and Extraction Tools for Test Probes

Test Probe Type	Smallest Spacing mm / mil	Tip Style Diameter mm	Insertion Tool	Extraction Tool
1012/E	1.91 / 75	< 0.9	WFEA 1015	flat-nose-pliers
1012/E	1.91 / 75	0.9 ... 2.0*	WFEA 1015	WFEA 1015
1015	2.54 / 100	< 0.9	WFEA 1015	flat-nose-pliers
1015	2.54 / 100	0.9 ... 2.0*	WFEA 1015	WFEA 1015
1021, 2021	2.54 / 100	< 1.2	WFEA 1021	flat-nose-pliers
1021, 2021	2.54 / 100	1.2 ... 2.0*	WFEA 1021	WFEA 1021
1028, 2028, 2053	2.54 / 100	< 1.5	WFEA 1028	flat-nose-pliers
1028, 2028, 2053	2.54 / 100	1.5 ... 2.0*	WFEA 1028	WFEA 1028
1029, 2029	2.54 / 100	< 1.5	WFEA 1028	flat-nose-pliers
1029, 2029	2.54 / 100	1.5 ... 2.0*	WFEA 1028	WFEA 1028
1050, 1060	4.00 / 160	< 2.0	WFEA 1050	flat-nose-pliers
1050, 1060	4.00 / 160	2.0 ... 3.0*	WFEA 1050	WFEA 1050
2053	2.54 / 100	< 1.5	WFEA 1028	flat-nose-pliers
2053	2.54 / 100	1.5 ... 2.0*	WFEA 1028	WFEA 1028
3010/..	4.00 / 160	< 2.0	WFEA 1050	flat-nose-pliers
3010/..	4.00 / 160	2.0 ... 3.0*	WFEA 1050	WFEA 1050
3020/2	2.54 / 100	< 1.2	WFEA 1021	flat-nose-pliers
3020/2	2.54 / 100	1.2 ... 2.0*	WFEA 1021	WFEA 1021
3030	2.54 / 100	< 1.0	WFEA 3030	flat-nose-pliers
3030	2.54 / 100	1.0 ... 2.3*	WFEA 3030	WFEA 3030

* When to use bigger headdiameters please order for special tools!
When ordering please mention the test probe type!



Receptacle Insertion Tools Metal Handle Design

Receptacle	Sleeve Insertion Tool	
	Complete	Insertion
H 1007	WHE 1200/07	WHE 1200/007
H 1008, H1008/E	WHE 1200/08	WHE 1200/008
H 1010	WHE 1200/12	WHE 1200/012
H 1012	WHE 1200/12	WHE 1200/012
H 1015, H 1015/G..	WHE 1200/15	WHE 1200/015
H 1021	WHE 1200/21	WHE 1200/021
H 1021/GV..	WHE 1200/21-V	WHE 1200/021-V
H 1025	WHE 1200/15	WHE 1200/015
H 1030	WHE 1200/30	WHE 1200/030
H 1050	WHE 1200/50	WHE 1200/050
H 1053/GRV, H1053/GVRV	WHE 1200/53-V	WHE 1200/053-V
H 1070	WHE 1200/75	WHE 1200/075
H 1075, H 1075/G-L	WHE 1200/75	WHE 1200/075
H 1080	WHE 1200/80	WHE 1200/80
H 2021	WHE 1200/21	WHE 1200/021
H 2050	WHE 1200/50	WHE 1200/050
H 3014	WHE 1200/3014	WHE 1200/03014
H 3023	WHE 1200/3023	WHE 1200/03023
H 3024	WHE 1200/3024	WHE 1200/03024
H 3028/VR.01	WHE 1200/3028-1	WHE 1200/03028-1
H 5104..	WHE 1200/5104	WHE 1200/05104
SK790	WHE 1200/790	WHE 1200/790

Receptacle Extraction Tools Metal Handle Design

Receptacle	Sleeve Extraction Tool	
	Complete	Insertion
H 1008	WHA 1200/08	WHA 1200/008
H 1012	WHA 1200/12	WHA 1200/012
H 1025	WHA 1200/25	WHA 1200/025

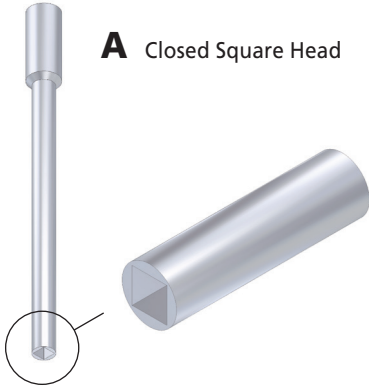


Receptacle Insertion Tools Plastic Handle Design

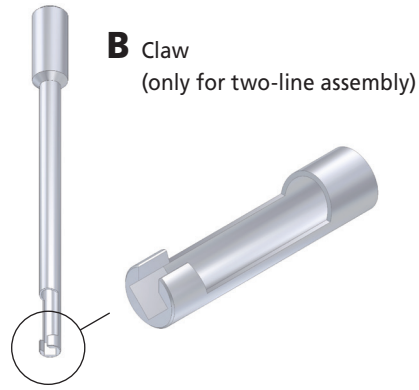
Receptacle	Sleeve Insertion Tool	
	Complete	Marking on Tool Shank
H 1015	WHE 137	1 Ring
H 1015/G	WHE 137	1 Ring
H 1021	WHE 165	2 Rings
H 1021/G	WHE 165	2 Rings
H 1042	WHE 300	4 Rings
H 1050	WHE 265	3 Rings
H 1060/G	WHE 265	3 Rings
H 2021	WHE 165	2 Rings
H 2050	WHE 265	3 Rings
H 3010, H 3010-22, H 3010/S-23, H 3010/S-28	WHE 265	3 Rings
H 3010/GS, H 3010/GW, H 3010/GW5, H 3010/GWR5	WHE 265	3 Rings
H 3011	WHE 265	3 Rings
H 3020, H 3020/S-26	WHE 165	2 Rings
H 3020/GS-26, H 3020/GRS-26, H 3020/GW5, H 3020/GWR5	WHE 165	2 Rings
H 3023/G, H 3023/5G, H 3023/ GWR5	WHE 165	2 Rings

Screwing Tools Screw-In Test Probes

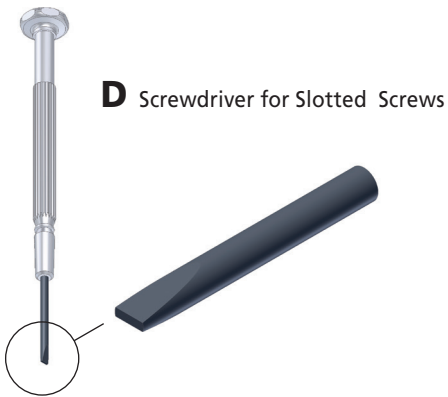
Tool Type



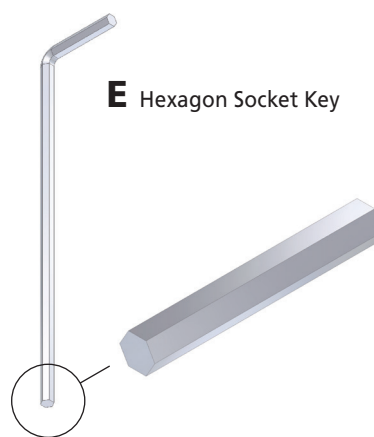
A Closed Square Head



B Claw
(only for two-line assembly)



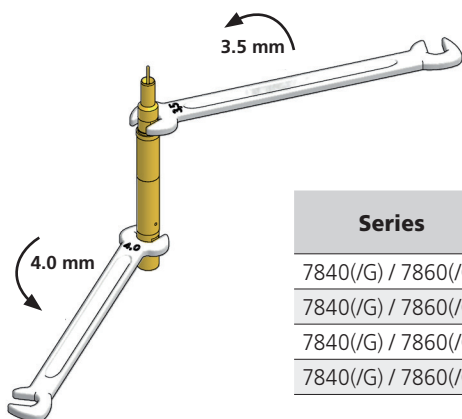
D Screwdriver for Slotted Screws



E Hexagon Socket Key

Assembly Tools for High Frequency Test Probe

Spanners



Series	Greatest Head Diameter	Tool Type
7840(/G) / 7860(/G)	0.5	WFK 7860-i-05
7840(/G) / 7860(/G)	1.8	WFK 7860-i-18
7840(/G) / 7860(/G)		SW 3.5
7840(/G) / 7860(/G)		SW 4.0

Assembly / Dismantling of the Inner Conductor using the Special Tool

