

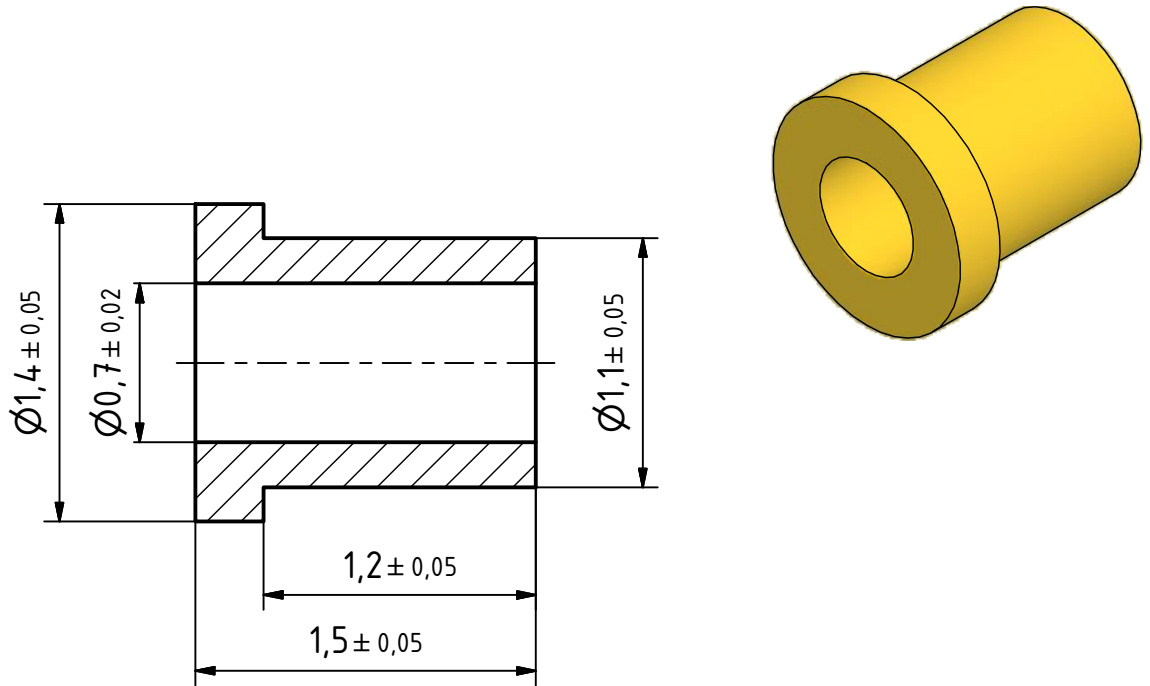


PTR HARTMANN GmbH

Gewerbehof 38 x 59368 Werne x Tel.+492389/79880 x Fax+492389/798888

Specification FK / Kundenbauvorschrift FK

Designed : <u>Freis</u>	Date : <u>27.08.19</u>	Customer : <u>PTR, Rus.</u>
Bearbeitet	Datum	Kunde
Checked : <u>Briesemann</u>	Date : <u>27.08.19</u>	Project-No.: <u>FK xxx</u>
Geprüft	Datum	Projekt-Nr.
Order Code : <u>SK 865 M Au</u>		
Bestell-Nr.		



Part / Teil	Material / Werkstoff	Plating / Beschichtung	Notice / Bemerkung
Socket / Buchse	Brass / Messing	(Cu)/Ni/Au	

This specification is valid from 27.08.19

All previous specifications of this product are now invalid and have to be destroyed.
The product represented with this specification will be released for manufacturing of necessary tools and components.

All changes required after approval of this specification will be charged to customer.

We reserved the right to make any changes which are in the interest of technical improvement.

Released :
freigegeben

Signature / Unterschrift

KSK865_M_Au_e.idw