

# STL130/..-10.0-V-BLACK-HT



### Technical Data

| Wire Sizes                |        | Insulating Material                |               |
|---------------------------|--------|------------------------------------|---------------|
| Solid min                 | -      | Material                           | LCP           |
| Solid max                 | -      | Flammability Class                 | UL 94 V-0     |
| Stranded (flexible) min   | -      | Temperatures                       |               |
| Stranded (flexible) max   | -      | Operating Temperature              | -30 °C 105 °C |
| Stranded with Ferrule min | -      | Wave Soldering Process             |               |
| Stranded with Ferrule max | -      | Soldering Temperature, recommended | 265 °C        |
| <b>Dimensions</b>         |        | Peak Soldering Time, recommended   | 3 s / 10 s    |
| Stripped Length           | -      | Reflow Process                     |               |
| PCB Hole Diameter         | 1.5 mm | Soldering Temperature, recommended | 217 - 245 °C  |
| <b>Materials</b>          |        | Peak Soldering Time, recommended   | 60 s          |
| Contact Pin               | Brass  |                                    |               |

### Colours

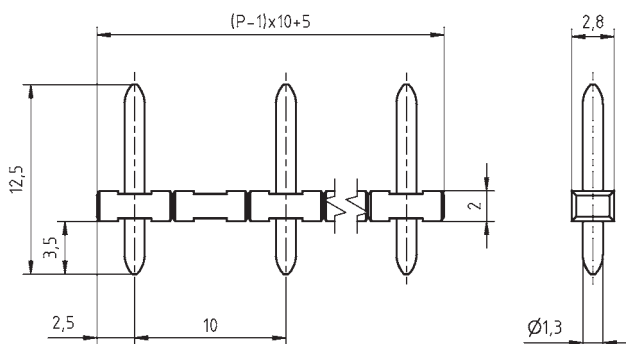
■ BLACK, RAL 9011

Colours according to RAL, there may be variations on colour due to production conditions.

### Counterparts (Spacing 10.0 mm)

Terminal Block

AK130



### Order Data (Spacing 10.0 mm)

| Poles | Width (mm) | Article Designation       | Article Number | PU  |
|-------|------------|---------------------------|----------------|-----|
| 2     | 15.00      | STL130/2-10.0-V-BLACK-HT  | 50130025061F   | 200 |
| 3     | 25.00      | STL130/3-10.0-V-BLACK-HT  | 50130035061E   | 100 |
| 4     | 35.00      | STL130/4-10.0-V-BLACK-HT  | 50130045061E   | 100 |
| 5     | 45.00      | STL130/5-10.0-V-BLACK-HT  | 50130055061E   | 100 |
| 6     | 55.00      | STL130/6-10.0-V-BLACK-HT  | 50130065061D   | 50  |
| 7     | 65.00      | STL130/7-10.0-V-BLACK-HT  | 50130075061D   | 50  |
| 8     | 75.00      | STL130/8-10.0-V-BLACK-HT  | 50130085061D   | 50  |
| 9     | 85.00      | STL130/9-10.0-V-BLACK-HT  | 50130095061D   | 50  |
| 10    | 95.00      | STL130/10-10.0-V-BLACK-HT | 50130105061D   | 50  |
| 11    | 105.00     | STL130/11-10.0-V-BLACK-HT | 50130115061D   | 50  |
| 12    | 115.00     | STL130/12-10.0-V-BLACK-HT | 50130125061D   | 50  |

### Ratings



| Usegroup             | B      | C      | D      |        |
|----------------------|--------|--------|--------|--------|
| Rated Voltage        | 300 V  | 150 V  | 300 V  | 500 V  |
| Rated Current        | 10 A   | 10 A   | 10 A   | 7 A    |
| Overvoltage Category |        |        |        | III    |
| Test Voltage         | 1.6 kV | 1.3 kV | 1.6 kV | 6.0 kV |
| Pollution Degree     |        |        |        | 2      |