

# AK1200/..F-5.0-GREEN AKZ1200/..F-5.08-GREEN

17- to 24-poles on request



NEW

### Technical Data

Wire Sizes		Insulating Material	
Solid min	0.2 mm <sup>2</sup>	Material	PA 6.6
Solid max	4.0 mm <sup>2</sup>	Flammability Class	UL 94 V-0
Stranded (flexible) min	0.2 mm <sup>2</sup>	<b>Temperatures</b>	
Stranded (flexible) max	2.5 mm <sup>2</sup>	Operating Temperature	-30 °C - 105 °C
Stranded with Ferrule min	0.25 mm <sup>2</sup>	<b>Wave Soldering Process</b>	
Stranded with Ferrule max	2.5 mm <sup>2</sup>	Soldering Temperature, recommended	-
<b>Dimensions</b>		Peak Soldering Time, recommended	-
Stripped Length	10.0 mm	<b>Reflow Process</b>	
PCB Hole Diameter	-	Soldering Temperature, recommended	-
<b>Materials</b>		Peak Soldering Time, recommended	-
Screw	Steel		
Contact Spring	Bronze		
Clamp Cage	Steel		
Excenter	Steel		

### Colours

GREEN, RAL 6018
  LIGHT GREEN, similar RAL 6018

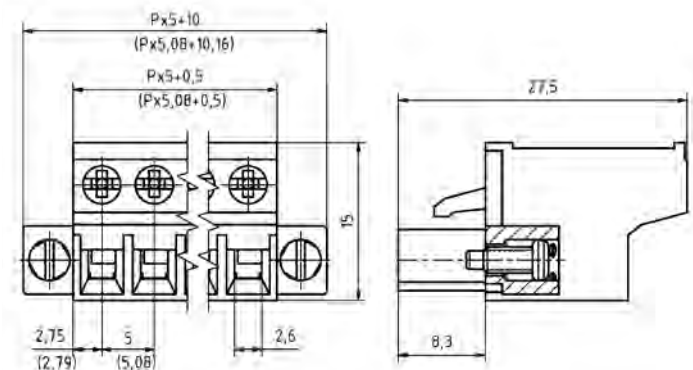
Colours according to RAL, there may be variations on colour due to production conditions. Special colours on request.

### Counterparts (Spacing 5.0 mm)

Pin Strip	
STL950	

### Counterparts (Spacing 5.8 mm)

Pin Strip / Terminal Block				
STLZ950	STLZ970	STLZ990	AKZ950-INV	AKZS950





### Order Data (Spacing 5.0 mm)

Poles	Width (mm)	Article Designation	Article Number	PU
2	15.00	AK1200/2F-5.0-GREEN	51200022001D	50
3	20.00	AK1200/3F-5.0-GREEN	51200032001D	50
4	25.00	AK1200/4F-5.0-GREEN	51200042001D	50
5	30.00	AK1200/5F-5.0-GREEN	51200052001D	50
6	35.00	AK1200/6F-5.0-GREEN	51200062001D	50
7	40.00	AK1200/7F-5.0-GREEN	51200072001D	50
8	45.00	AK1200/8F-5.0-GREEN	51200082001D	50
9	50.00	AK1200/9F-5.0-GREEN	51200092001D	50
...	...	...	...	...
16	90.00	AK1200/16F-5.0-GREEN	51200162001D	50

### Order Data (Spacing 5.08 mm)



Poles	Width (mm)	Article Designation	Article Number	PU
2	10.16	AKZ1200/2F-5.08-GREEN	51200022021D	50
3	15.24	AKZ1200/3F-5.08-GREEN	51200032021D	50
4	20.32	AKZ1200/4F-5.08-GREEN	51200042021D	50
5	25.40	AKZ1200/5F-5.08-GREEN	51200052021D	50
6	30.48	AKZ1200/6F-5.08-GREEN	51200062021D	50
7	35.56	AKZ1200/7F-5.08-GREEN	51200072021D	50
8	40.64	AKZ1200/8F-5.08-GREEN	51200082021D	50
9	45.72	AKZ1200/9F-5.08-GREEN	51200092021D	50
...	...	...	...	...
16	81.28	AKZ1200/16F-5.08-GREEN	51200162021D	50

### Accessories

Figure	Designation	Article Number
	Coding Star CS4-5.0/5.08-RED	50000000026
	Series AKZ1200 with pull relief	on request

See pages 282 ff for detail and general accessories and see pages 12/13 concerning services.

### Ratings

Usegroup					
	B	C	D		
Rated Voltage	300 V	150 V	300 V	250 V	
Rated Current	15 A	15 A	10 A	12 A	
Overvoltage Category				III	
Rated Wire Size	solid		min		max
	AWG 22-12	AWG 22-12	AWG 22-12	0.2 mm <sup>2</sup> (4 A)	2.5 mm <sup>2</sup> (12 A)
stranded		AWG 22-12	AWG 22-12	0.2 mm <sup>2</sup> (4 A)	2.5 mm <sup>2</sup> (12 A)
Torque	0.50 Nm	0.50 Nm	0.50 Nm	0.50 Nm	
Screw Size	M2.5	M2.5	M2.5	M2.5	
Test Voltage	1.6 kV	1.3 kV	1.6 kV	4.0 kV	
Pollution Degree				3	