

STLZ970/..F-5.08-H-GREEN



Technical Data

Wire Sizes		Insulating Material	
Solid min	-	Material	PBT
Solid max	-	Flammability Class	UL 94 V-0
Stranded (flexible) min	-	Temperatures	
Stranded (flexible) max	-	Operating Temperature	-30 °C 105 °C
Stranded with Ferrule min	-	Wave Soldering Process	
Stranded with Ferrule max	-	Soldering Temperature, recommended	265 °C
Dimensions		Peak Soldering Time, recommended	3 s / 10 s
Stripped Length	-	Reflow Process	
PCB Hole Diameter	1.4 mm	Soldering Temperature, recommended	-
Materials		Peak Soldering Time, recommended	-
Thread Insert, Flange	Brass		
Contact Pin	Copper Alloy		

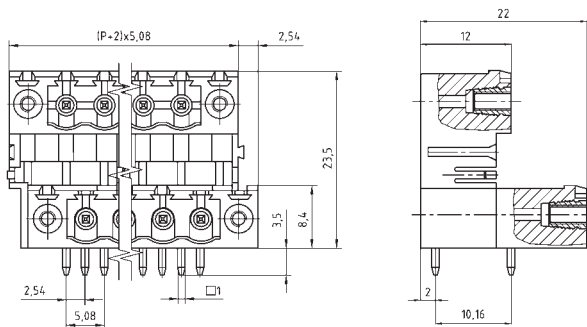
Colours

 GREEN, RAL 6018  LIGHT GREEN, similar RAL 6018

Colours according to RAL, there may be variations on colour due to production conditions. Special colours on request.

Counterparts (Spacing 5.08 mm)



Terminal Block			
AKZ1200	AKZ950	AKZ1100	AKZ1110



Order Data (Spacing 5.08 mm)

Poles	Width (mm)	Article Designation	Article Number	PU
2	22.86	STLZ970/2F-5.08-H-GREEN	50970026021D	50
3	27.94	STLZ970/3F-5.08-H-GREEN	50970036021D	50
4	33.02	STLZ970/4F-5.08-H-GREEN	50970046021D	50
5	38.10	STLZ970/5F-5.08-H-GREEN	50970056021D	50
6	43.18	STLZ970/6F-5.08-H-GREEN	50970066021D	50
7	48.26	STLZ970/7F-5.08-H-GREEN	50970076021D	50
8	53.34	STLZ970/8F-5.08-H-GREEN	50970086021D	50
9	58.42	STLZ970/9F-5.08-H-GREEN	50970096021D	50
10	63.50	STLZ970/10F-5.08-H-GREEN	50970106021D	50
11	68.58	STLZ970/11F-5.08-H-GREEN	50970116021D	50
12	73.66	STLZ970/12F-5.08-H-GREEN	50970126021D	50

Accessories

Figure	Designation	Article Number
	Coding Star CS2-5.0/5.08-RED	50000000024
	Separating Element SE-STL950-GREEN	50950000002

See pages 282 ff for detail and general accessories and see pages 12/13 concerning services.

Ratings

Usegroup	UL US			VDE
	B	C	D	
Rated Voltage	300 V	150 V	300 V	250 V
Rated Current	15 A	15 A	10 A	12 A
Overvoltage Category				III
Test Voltage	1.6 kV	1.3 kV	1.6 kV	4.0 kV
Pollution Degree				3