



AK4951/..FKD-5.0-BASALT GREY AKZ4951/..FKD-5.08-BASALT GREY

Technical Data

Wire Sizes		Insulating Material	
Solid min	0.2 mm ²	Material	PA 6.6
Solid max	2.5 mm ²	Flammability Class	UL 94 V-0
Stranded (flexible) min		Temperatures	
Stranded (flexible) max	2.5 mm ²	Operating Temperature	-30 °C - 105 °C
Stranded with Ferrule min	0.25 mm ²	Wave Soldering Process	
Stranded with Ferrule max	2.5 mm ²	Soldering Temperature, recommended	-
Dimensions		Peak Soldering Time, recommended	-
Stripped Length	12 mm	Reflow Process	
PCB Hole Diameter	-	Soldering Temperature, recommended	-
Materials		Peak Soldering Time, recommended	-
Screw, Flange	Steel		
Contact Spring	Copper Alloy		
Clamp Spring	Stainless Steel		

Colours

- BASALT GREY, RAL 7012
- GREEN, RAL 6018
- LIGHT GREEN, similar RAL 6018

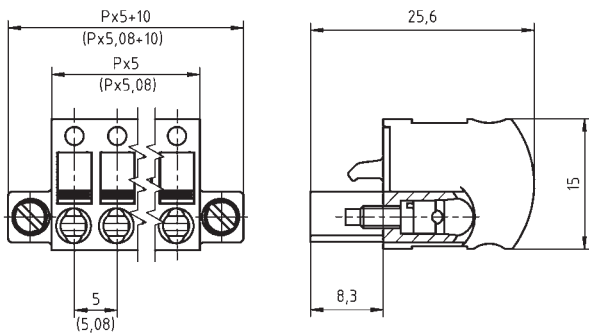
Colours according to RAL, there may be variations on colour due to production conditions. Special colours on request.

Counterparts (Spacing 5.0 mm)

Pin Strip	
STL950	

Counterparts (Spacing 5.08 mm)

Pin Strip / Terminal Block	
STLZ950	STLZ970 AKZS950





Order Data (Spacing 5.0 mm)

Poles	Width (mm)	Article Designation	Article Number	PU
2	20.00	AK4951/2FKD-5.0-BASALT GREY	54951022401D	50
3	25.00	AK4951/3FKD-5.0-BASALT GREY	54951032401D	50
4	30.00	AK4951/4FKD-5.0-BASALT GREY	54951042401D	50
5	35.00	AK4951/5FKD-5.0-BASALT GREY	54951052401D	50
6	40.00	AK4951/6FKD-5.0-BASALT GREY	54951062401D	50
7	45.00	AK4951/7FKD-5.0-BASALT GREY	54951072401D	50
8	50.00	AK4951/8FKD-5.0-BASALT GREY	54951082401D	50
9	55.00	AK4951/9FKD-5.0-BASALT GREY	54951092401D	50
...
24	130.00	AK4951/24FKD-5.0-BASALT GREY	54951242401D	50

Order Data (Spacing 5.08 mm)

Poles	Width (mm)	Article Designation	Article Number	PU
2	20.16	AKZ4951/2FKD-5.08-BASALT GREY	54951022421D	50
3	25.24	AKZ4951/3FKD-5.08-BASALT GREY	54951032421D	50
4	30.32	AKZ4951/4FKD-5.08-BASALT GREY	54951042421D	50
5	35.40	AKZ4951/5FKD-5.08-BASALT GREY	54951052421D	50
6	40.48	AKZ4951/6FKD-5.08-BASALT GREY	54951062421D	50
7	45.56	AKZ4951/7FKD-5.08-BASALT GREY	54951072421D	50
8	50.64	AKZ4951/8FKD-5.08-BASALT GREY	54951082421D	50
9	55.72	AKZ4951/9FKD-5.08-BASALT GREY	54951092421D	50
...
24	131.92	AKZ4951/24FKD-5.08-BASALT GREY	54951242421D	50

Accessories

Figure	Designation	Article Number
	Coding Star CS1-5.0/5.08-RED	50000000021
	Series AK(Z)4951 with pull relief	on request

See pages 282 ff for detail and general accessories and see pages 12/13 concerning services.

Ratings

Usegroup	c ALUS		VDE	
	B	C	D	
Rated Voltage	300 V	-	300 V	250 V
Rated Current	10 A	-	10 A	12 A
Overvoltage Category				III
Rated Wire Size			min	max
	solid	AWG 26-12	-	AWG 26-12
	stranded	AWG 26-12	-	AWG 26-12
Test Voltage	1.6 kV		-	1.6 kV
Pollution Degree	3			