



AKZ840/..-6.35-V-GREEN

Technical Data

Wire Sizes		Insulating Material	
Solid min	0.2 mm ²	Material	PA 6.6
Solid max	6.0 mm ²	Flammability Class	UL 94 V-0
Stranded (flexible) min		Temperatures	
Stranded (flexible) max	4.0 mm ²	Operating Temperature	-30 °C - 105 °C
Stranded with Ferrule min		Wave Soldering Process	
Stranded with Ferrule max	0.25 mm ²	Soldering Temperature, recommended	265 °C
Stranded with Ferrule max		Peak Soldering Time, recommended	3 s / 10 s
Dimensions		Reflow Process	
Stripped Length	7.0 mm	Soldering Temperature, recommended	-
PCB Hole Diameter	1.6 mm	Peak Soldering Time, recommended	-
Materials			
Clamp	Brass		
Screw	Steel		
Solder Tag	Brass		

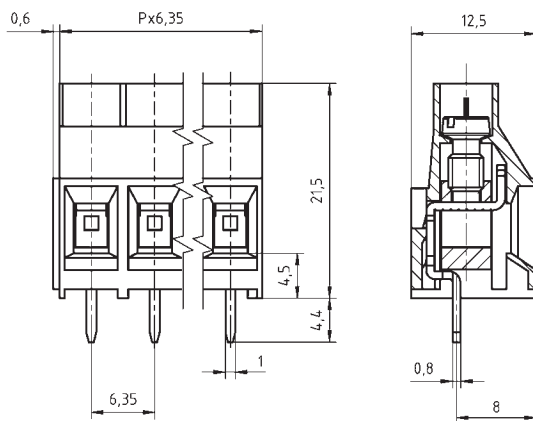
Colours

	GREEN, RAL 6018		LIGHT GREY, RAL 7035
	LIGHT GREEN, similar RAL 6018		

Colours according to RAL, there may be variations on colour due to production conditions. Special colours on request.

Order Data (Spacing 6.35 mm)

Poles	Width (mm)	Article Designation	Article Number	PU
2	13.30	AKZ840/2-6.35-V-GREEN	50840020201D	50
3	19.65	AKZ840/3-6.35-V-GREEN	50840030201D	50
4	26.00	AKZ840/4-6.35-V-GREEN	50840040201D	50
5	32.35	AKZ840/5-6.35-V-GREEN	50840050201D	50
6	38.70	AKZ840/6-6.35-V-GREEN	50840060201D	50
7	45.05	AKZ840/7-6.35-V-GREEN	50840070201D	50
8	51.40	AKZ840/8-6.35-V-GREEN	50840080201D	50
9	57.75	AKZ840/9-6.35-V-GREEN	50840090201D	50
10	64.10	AKZ840/10-6.35-V-GREEN	50840100201D	50
11	70.45	AKZ840/11-6.35-V-GREEN	50840110201D	50
12	76.80	AKZ840/12-6.35-V-GREEN	50840120201D	50
13	83.15	AKZ840/13-6.35-V-GREEN	50840130201D	50
14	89.50	AKZ840/14-6.35-V-GREEN	50840140201D	50
15	95.85	AKZ840/15-6.35-V-GREEN	50840150201D	50
16	102.20	AKZ840/16-6.35-V-GREEN	50840160201D	50



Ratings



Usegroup	B	C	D		
Rated Voltage	300 V	-	300 V	450 V	
Rated Current	30 A	-	10 A	32 A	
Rated Wire Size			min		max
	solid	AWG 28-10	-	AWG 28-10	1.5 mm ² / 4.0 mm ²
	stranded	AWG 28-10	-	AWG 28-10	1.5 mm ² / 4.0 mm ²
Torque	0.80 Nm		0.80 Nm		0.80 Nm
Screw Size	M3.5		M3.5		M3.5
Test Voltage	1.6 kV		1.6 kV		6.0 kV