



## AKZ1100/..FS-5.08-GREEN

## Technical Data

Wire Sizes		Insulating Material	
Solid min	0.2 mm <sup>2</sup>	Material	PA 6.6
Solid max	4.0 mm <sup>2</sup>	Flammability Class	UL 94 V-0
Stranded (flexible) min	0.2 mm <sup>2</sup>	<b>Temperatures</b>	
Stranded (flexible) max	4.0 mm <sup>2</sup>	Operating Temperature	-30 °C - 105 °C
Stranded with Ferrule min	0.25 mm <sup>2</sup>	<b>Wave Soldering Process</b>	
Stranded with Ferrule max	2.5 mm <sup>2</sup>	Soldering Temperature, recommended	-
<b>Dimensions</b>		Peak Soldering Time, recommended	-
Stripped Length	7.0 mm	<b>Reflow Process</b>	
PCB Hole Diameter	-	Soldering Temperature, recommended	-
<b>Materials</b>		Peak Soldering Time, recommended	-
Clamp	Brass		
Screw	Steel		
Contact Spring	Bronze		

## Colours

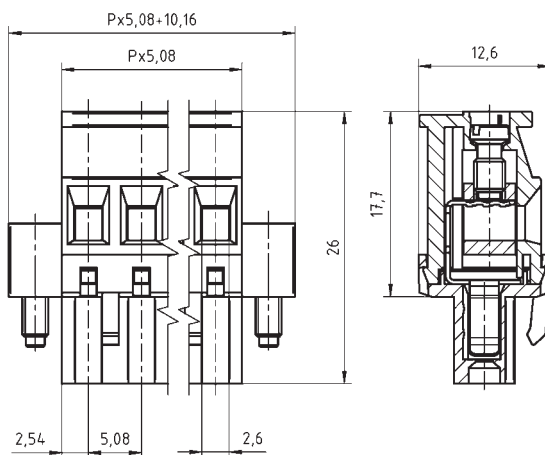
 GREEN, RAL 6018  LIGHT GREEN, similar RAL 6018

Colours according to RAL, there may be variations on colour due to production conditions. Special colours on request.

## Counterparts (Spacing 5.08 mm)

Pin Strip / Terminal Block






STLZ950 STLZ970 AKZS950



## Order Data (Spacing 5.08 mm)

Poles	Width (mm)	Article Designation	Article Number	PU
2	20.32	AKZ1100/2FS-5.08-GREEN	51100022001F	200
3	25.40	AKZ1100/3FS-5.08-GREEN	51100032001F	200
4	30.48	AKZ1100/4FS-5.08-GREEN	51100042001E	100
5	35.56	AKZ1100/5FS-5.08-GREEN	51100052001E	100
6	40.64	AKZ1100/6FS-5.08-GREEN	51100062001E	100
7	45.72	AKZ1100/7FS-5.08-GREEN	51100072001E	100
8	50.80	AKZ1100/8FS-5.08-GREEN	51100082001E	100
9	55.88	AKZ1100/9FS-5.08-GREEN	51100092001D	50
10	60.96	AKZ1100/10FS-5.08-GREEN	51100102001D	50
11	66.04	AKZ1100/11FS-5.08-GREEN	51100112001D	50
12	71.12	AKZ1100/12FS-5.08-GREEN	51100122001D	50
13	76.20	AKZ1100/13FS-5.08-GREEN	51100132001D	50
14	81.28	AKZ1100/14FS-5.08-GREEN	51100142001D	50
15	86.36	AKZ1100/15FS-5.08-GREEN	51100152001D	50
16	91.44	AKZ1100/16FS-5.08-GREEN	51100162001D	50
17	96.52	AKZ1100/17FS-5.08-GREEN	51100172001D	50
18	101.60	AKZ1100/18FS-5.08-GREEN	51100182001D	50
19	106.68	AKZ1100/19FS-5.08-GREEN	51100192001D	50
20	111.76	AKZ1100/20FS-5.08-GREEN	51100202001D	50
21	116.84	AKZ1100/21FS-5.08-GREEN	51100212001D	50
22	121.92	AKZ1100/22FS-5.08-GREEN	51100222001D	50
23	127.00	AKZ1100/23FS-5.08-GREEN	51100232001D	50
24	132.08	AKZ1100/24FS-5.08-GREEN	51100242001D	50

## Accessories

Figure	Designation	Article Number
	Bridge, 2-pole, insulated, BRI/2-5.0/5.08-LIGHT GREY	50000000006
	Bridge, 3-pole, insulated, BRI/3-5.0/5.08-LIGHT GREY	50000000007
	Coding Star CS4-5.0/5.08-RED	50000000026
	Series AK(Z)1100 with separating element	on request
	Series AK(Z)1100 with pull relief	on request

See pages 282 ff for detail and general accessories and see pages 12/13 concerning services.

## Ratings

Usegroup	cULus		VDE	
	B	C	D	
Rated Voltage	300 V	-	300 V	250 V
Rated Current	11 A	-	10 A	10 A
Overvoltage Category				III
Rated Wire Size			min	max
	solid	AWG 28-12	-	AWG 28-12
	stranded	AWG 28-12	-	AWG 28-12
Torque	0.50 Nm		0.50 Nm	
Screw Size	M3		M3	
Test Voltage	1.6 kV		1.6 kV	
Pollution Degree	3			