



AKZ841/..-9.52-V-GREEN

Technical Data

Wire Sizes		Insulating Material	
Solid min	0.2 mm ²	Material	PA 6.6
Solid max	6.0 mm ²	Flammability Class	UL 94 V-0
Stranded (flexible) min	0.2 mm ²	Temperatures	
Stranded (flexible) max	4.0 mm ²	Operating Temperature	-30 °C - 105 °C
Stranded with Ferrule min	0.25 mm ²	Wave Soldering Process	
Stranded with Ferrule max	4.0 mm ²	Soldering Temperature, recommended	265 °C
Dimensions		Peak Soldering Time, recommended	3 s / 10 s
Stripped Length	7.0 mm	Reflow Process	
PCB Hole Diameter	1.6 mm	Soldering Temperature, recommended	-
Materials		Peak Soldering Time, recommended	-
Clamp	Brass		
Screw	Steel		
Solder Tag	Brass		

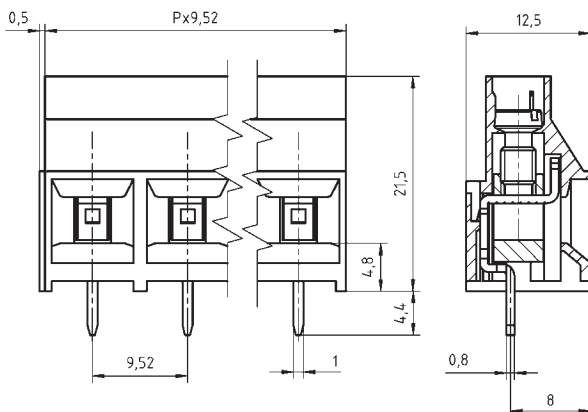
Colours

 GREEN, RAL 6018  LIGHT GREEN, similar RAL 6018

Colours according to RAL, there may be variations on colour due to production conditions. Special colours on request.

Order Data (Spacing 9.52 mm)

Poles	Width (mm)	Article Designation	Article Number	PU
2	19.54	AKZ841/2-9.52-V-GREEN	50841020201D	50
3	29.06	AKZ841/3-9.52-V-GREEN	50841030201D	50
4	38.58	AKZ841/4-9.52-V-GREEN	50841040201D	50
5	48.10	AKZ841/5-9.52-V-GREEN	50841050201D	50
6	57.62	AKZ841/6-9.52-V-GREEN	50841060201D	50
7	67.14	AKZ841/7-9.52-V-GREEN	50841070201D	50
8	76.66	AKZ841/8-9.52-V-GREEN	50841080201D	50
9	86.18	AKZ841/9-9.52-V-GREEN	50841090201D	50
10	95.70	AKZ841/10-9.52-V-GREEN	50841100201D	50
11	105.22	AKZ841/11-9.52-V-GREEN	50841110201D	50
12	114.74	AKZ841/12-9.52-V-GREEN	50841120201D	50
13	124.26	AKZ841/13-9.52-V-GREEN	50841130201D	50
14	133.78	AKZ841/14-9.52-V-GREEN	50841140201D	50
15	143.30	AKZ841/15-9.52-V-GREEN	50841150201D	50
16	152.82	AKZ841/16-9.52-V-GREEN	50841160201D	50



Ratings



Usegroup	B	C	D		
Rated Voltage	300 V	-	600 V	1000 V	
Rated Current	30 A	-	5 A	32 A	
Rated Wire Size			min		max
	solid	AWG 28-10	-	AWG 28-10	0.2 mm ² / 4.0 mm ²
	stranded	AWG 28-10	-	AWG 28-10	0.2 mm ² / 4.0 mm ²
Torque	0.80 Nm		0.80 Nm		0.80 Nm
Screw Size	M3.5		M3.5		M3.5
Test Voltage	1.6 kV		2.2 kV		3.5 kV