

STL955/..-5.0-OR-GREEN



Technical Data

Wire Sizes		Insulating Material	
Solid min	-	Material	PA 6.6
Solid max	-	Flammability Class	UL 94 V-0
Stranded (flexible) min	-	Temperatures	
Stranded (flexible) max	-	Operating Temperature	-30 °C 105 °C
Stranded with Ferrule min	-	Wave Soldering Process	
Stranded with Ferrule max	-	Soldering Temperature, recommended	265 °C
Dimensions		Peak Soldering Time, recommended	3 s / 10 s
Stripped Length	-	Reflow Process	
PCB Hole Diameter	1.6 mm	Soldering Temperature, recommended	-
Materials		Peak Soldering Time, recommended	-
Contact Pin	Brass		

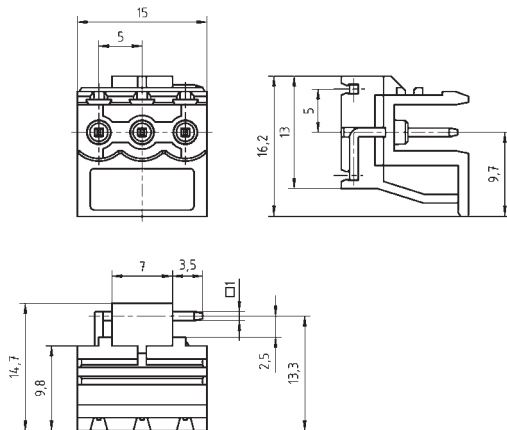
Colours

 GREEN, RAL 6018  LIGHT GREEN, similar RAL 6018

Colours according to RAL, there may be variations on colour due to production conditions. Special colours on request.

Counterparts (Spacing 5.0 mm)


Terminal Block					
AK955	AK950	AK1100	AK1110	AK4951	AK3950



Order Data (Spacing 5.0 mm)

Poles	Width (mm)	Article Designation	Article Number	PU
3	15.00	STL955/3-5.0-OR-GREEN	50955035071D	50
4	20.00	STL955/4-5.0-OR-GREEN	50955045071D	50

Accessories

Figure	Designation	Article Number
	Coding Star CS3-5.0/5.08-RED	50000000025

See pages 282 ff for detail and general accessories and see pages 12/13 concerning services.

Ratings

Usegroup	UL US			VDE
	B	C	D	
Rated Voltage	300 V	-	300 V	250 V
Rated Current	10 A	-	10 A	9 A
Overtoltage Category				III
Test Voltage	1.6 kV	-	1.6 kV	2.0 kV
Pollution Degree				3