




# AKZS950/..F-5.08-GREEN

TS 32/35, 19- to 24-poles on request

## Technical Data

Wire Sizes		Insulating Material	
Solid min	0.2 mm <sup>2</sup>	Material	PA 6.6
Solid max	4.0 mm <sup>2</sup>	Flammability Class	UL 94 V-0
Stranded (flexible) min		<b>Temperatures</b>	
Stranded (flexible) max	2.5 mm <sup>2</sup>	Operating Temperature	-30 °C - 105 °C
Stranded with Ferrule min	0.25 mm <sup>2</sup>	<b>Wave Soldering Process</b>	
Stranded with Ferrule max	2.5 mm <sup>2</sup>	Soldering Temperature, recommended	-
<b>Dimensions</b>		Peak Soldering Time, recommended	-
Stripped Length	6.0 mm	<b>Reflow Process</b>	
PCB Hole Diameter	-	Soldering Temperature, recommended	-
<b>Materials</b>		Peak Soldering Time, recommended	-
Clamp	Brass		
Screw	Steel		
Thread Insert, Flange	Brass		
Contact Tag	Copper Alloy		

## Colours

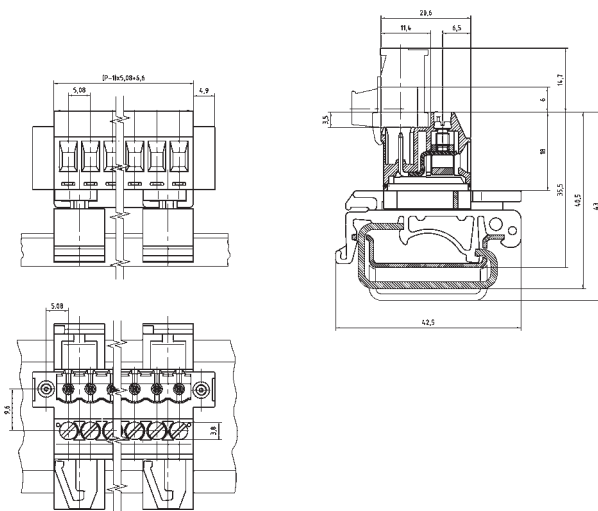
 GREEN, RAL 6018       LIGHT GREEN, similar RAL 6018

Colours according to RAL, there may be variations on colour due to production conditions. Special colours on request.

## Counterparts (Spacing 5.08 mm)

Terminal Block

AKZ950    AKZ1100    AKZ1110    AKZ4951



## Order Data (Spacing 5.08 mm)



Poles	Width (mm)	Article Designation	Article Number	PU
2	21.48	AKZS950/2F-5.08-GREEN	50950027022E	100
3	26.56	AKZS950/3F-5.08-GREEN	50950037022E	100
4	31.64	AKZS950/4F-5.08-GREEN	50950047022E	100
5	36.72	AKZS950/5F-5.08-GREEN	50950057022E	100
6	41.80	AKZS950/6F-5.08-GREEN	50950067022D	50
7	46.88	AKZS950/7F-5.08-GREEN	50950077022D	50
8	51.96	AKZS950/8F-5.08-GREEN	50950087022D	50
9	57.04	AKZS950/9F-5.08-GREEN	50950097022D	50
10	62.12	AKZS950/10F-5.08-GREEN	50950107022D	50
11	67.20	AKZS950/11F-5.08-GREEN	50950117022D	50
12	72.28	AKZS950/12F-5.08-GREEN	50950127022D	50
13	77.36	AKZS950/13F-5.08-GREEN	50950137022D	50
14	82.44	AKZS950/14F-5.08-GREEN	50950147022D	50
15	87.52	AKZS950/15F-5.08-GREEN	50950157022D	50
16	92.60	AKZS950/16F-5.08-GREEN	50950167022D	50
17	97.68	AKZS950/17F-5.08-GREEN	50950177022D	50
18	102.76	AKZS950/18F-5.08-GREEN	50950187022D	50

## Accessories

Figure	Designation	Article Number
	Bridge, 2-pole, insulated, BR/2-5.0/5.08-LIGHT GREY	50000000006
	Bridge, 3-pole, insulated, BR/3-5.0/5.08-LIGHT GREY	50000000007
	Bridge, 2-pole, BR/2-5.0/5.08-L7.0	50000000008
	Coding Star CS2-5.0/5.08-RED	50000000024
	Separating Element SE-STL950-GREEN	50950000002
	Mounting Rail Clip CLP-AKZS950-TS15/TS35	50950000005
	Mounting Rail Clip CLP-AKZS950-TS32/TS35	50950000006

See pages 282 ff for detail and general accessories and see pages 12/13 concerning services.

## Ratings

Usegroup						
	B	C	D	III		
Rated Voltage	300 V	150 V	300 V	250 V		
Rated Current	15 A	15 A	10 A	12 A		
Overvoltage Category				III		
Rated Wire Size			min		max	
	solid	AWG 28-12	AWG 28-12	AWG 28-12	0.5 mm <sup>2</sup> (5 A)	2.5 mm <sup>2</sup> (12 A)
	stranded	AWG 28-12	AWG 28-12	AWG 28-12	0.5 mm <sup>2</sup> (5 A)	2.5 mm <sup>2</sup> (12 A)
Torque	0.45 Nm	0.45 Nm	0.45 Nm	0.50 Nm		
Screw Size	M3	M3	M3	M3		
Test Voltage	1.6 kV	1.3 kV	1.6 kV	4.0 kV		
Pollution Degree				3		