

STL132/..-10.0-V-BLACK-HT



Technical Data

Wire Sizes		Insulating Material	
Solid min	-	Material	LCP
Solid max	-	Flammability Class	UL 94 V-0
Stranded (flexible) min	-	Temperatures	
Stranded (flexible) max	-	Operating Temperature	-30 °C 105 °C
Stranded with Ferrule min	-	Wave Soldering Process	
Stranded with Ferrule max	-	Soldering Temperature, recommended	265 °C
		Peak Soldering Time, recommended	3 s / 10 s
Dimensions		Reflow Process	
Stripped Length	-	Soldering Temperature, recommended	217 - 245 °C
PCB Hole Diameter	1.2 mm	Peak Soldering Time, recommended	60 s
Materials			
Contact Pin	Brass		

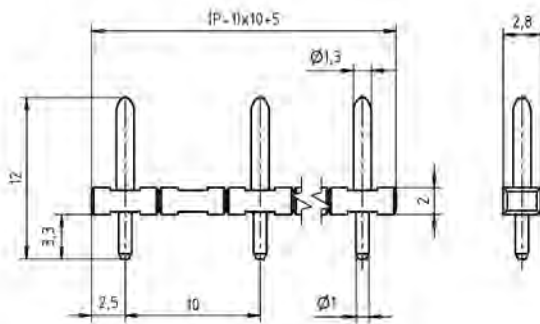
Colours

■ BLACK, RAL 9011

Colours according to RAL, there may be variations on colour due to production conditions.

Counterparts (Spacing 10.0 mm)

Terminal Block
AK130



Order Data (Spacing 10.0 mm)

Poles	Width (mm)	Article Designation	Article Number	PU
2	15.00	STL132/2-10.0-V-BLACK-HT	50132025051H	500
3	25.00	STL132/3-10.0-V-BLACK-HT	50132035051G	250
4	35.00	STL132/4-10.0-V-BLACK-HT	50132045051G	250
5	45.00	STL132/5-10.0-V-BLACK-HT	50132055051E	100
6	55.00	STL132/6-10.0-V-BLACK-HT	50132065051E	100
7	65.00	STL132/7-10.0-V-BLACK-HT	50132075051E	100
8	75.00	STL132/8-10.0-V-BLACK-HT	50132085051E	100
9	85.00	STL132/9-10.0-V-BLACK-HT	50132095051D	50
10	95.00	STL132/10-10.0-V-BLACK-HT	50132105051D	50
11	105.00	STL132/11-10.0-V-BLACK-HT	50132115051D	50
12	115.00	STL132/12-10.0-V-BLACK-HT	50132125051D	50

Ratings



Usegroup	B	C	D	
Rated Voltage	300 V	-	-	500 V
Rated Current	10 A	-	-	7 A
Overvoltage Category				III
Test Voltage	1.6 kV	-	-	6.0 kV
Pollution Degree				3