



# AK130/..-10.0-GREY-BL AKZ130/..-10.16-GREY-BL

### Technical Data

<b>Wire Sizes</b>		<b>Insulating Material</b>	
Solid min	0.14 mm <sup>2</sup>	Material	PA 6.6
Solid max	2.5 mm <sup>2</sup>	Flammability Class	UL 94 V-0
Stranded (flexible) min	0.14 mm <sup>2</sup>	<b>Temperatures</b>	
Stranded (flexible) max	1.5 mm <sup>2</sup>	Operating Temperature	-30 °C - 105 °C
Stranded with Ferrule min	0.14 mm <sup>2</sup>	<b>Wave Soldering Process</b>	
Stranded with Ferrule max	1.5 mm <sup>2</sup>	Soldering Temperature, recommended	-
<b>Dimensions</b>		Peak Soldering Time, recommended	-
Stripped Length	6.0 mm	<b>Reflow Process</b>	
PCB Hole Diameter	-	Soldering Temperature, recommended	-
<b>Materials</b>		Peak Soldering Time, recommended	-
Clamp	Brass		
Screw	Steel		
Contact Spring	Copper Alloy		

### Colours

■ GREY, RAL 7016

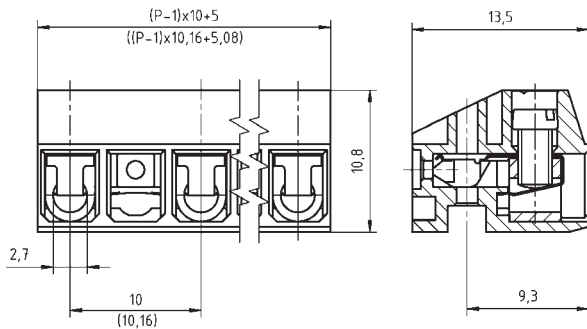
Colours according to RAL, there may be variations on colour due to production conditions. Special colours on request.

### Counterparts (Spacing 10.0 mm)

Pin Strip		
STL130	STL132	STL140

### Counterparts (Spacing 10.16 mm)

Pin Strip	
STLZ130	STLZ140



### Order Data (Spacing 10.0 mm)

Poles	Width (mm)	Article Designation	Article Number	PU
2	15.00	AK130/2-10.0-GREY-BL	50130022021G	250
3	25.00	AK130/3-10.0-GREY-BL	50130032021G	250
4	35.00	AK130/4-10.0-GREY-BL	50130042021G	250
5	45.00	AK130/5-10.0-GREY-BL	50130052021E	100
6	55.00	AK130/6-10.0-GREY-BL	50130062021E	100

### Order Data (Spacing 10.16 mm)

Poles	Width (mm)	Article Designation	Article Number	PU
2	15.24	AKZ130/2-10.16-GREY-BL	50130022071G	250
3	25.40	AKZ130/3-10.16-GREY-BL	50130032071G	250
4	35.56	AKZ130/4-10.16-GREY-BL	50130042071G	250
5	45.72	AKZ130/5-10.16-GREY-BL	50130052071E	100
6	55.88	AKZ130/6-10.16-GREY-BL	50130062071E	100

### Ratings

Usegroup	cULus			VDE	
	B	C	D	630 V	
Rated Voltage	300 V	150 V	300 V	630 V	
Rated Current	8 A	8 A	8 A	7 A	
Overvoltage Category				III	
Rated Wire Size				min	max
	solid	AWG 22-12	AWG 22-12	AWG 22-12	0.5 mm <sup>2</sup> (5 A) 2.5 mm <sup>2</sup> (7 A)
	stranded	AWG 22-14	AWG 22-14	AWG 22-14	0.5 mm <sup>2</sup> (5 A) 2.5 mm <sup>2</sup> (7 A)
Torque	0.45 Nm	0.45 Nm	0.45 Nm	0.40 Nm	
Screw Size	M2.6	M2.6	M2.6	M2.6	
Test Voltage	1.6 kV	1.3 kV	1.6 kV	6.0 kV	
Pollution Degree				3	