

# Series 5099.43

- Position horizontal
- Board-to-board contacting
- Tape on Reel
- Individual placement by housing design

## Mechanical Data

Center	3.50 mm/138 mil
Temperature Range	-30 °C - +120 °C
Full Travel	4.00 mm
Working Travel	3.30 mm
Pre-loaded Spring Force	0.13/ 0.25 N
Spring Force at Working Travel	0.50/ 2.00 N

## Electrical Data

Max. Current Rating	8.0 A
Typical Continuity Resistance	<= 20 mOhm

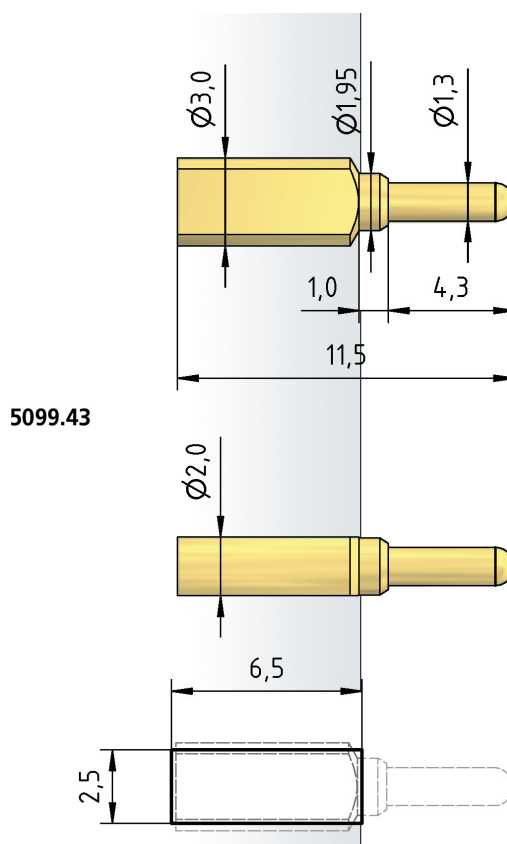
## Materials

Barrel	Brass, gold plated
Spring	Spring Steel, gold plated
Plunger	CuBe, gold plated

## Tip style - Diameter - Plating



D
1.30C Au



## How to Order

5099 .43 - D - 2.0 N - Au - 1.3 C  
 1 2 3 4 5 6 7

1. Series 2. Variant 3. Tip Style  
 4. Spring Force 5. Tip Plating 6. Tip Diameter  
 7. Tip Material (only for CuBe)