



AK3011/..WD-7.5-PEBBLE GREY

1- to n-poles

Technical Data

Wire Sizes		Insulating Material	
Solid min	0.08 mm ²	Material	PA 6.6
Solid max	2.5 mm ²	Flammability Class	UL 94 V-0
Stranded (flexible) min	0.14 mm ²	Temperatures	
Stranded (flexible) max	2.5 mm ²	Operating Temperature	-30 °C - 105 °C
Stranded with Ferrule min	0.14 mm ²	Wave Soldering Process	
Stranded with Ferrule max	1.5 mm ²	Soldering Temperature, recommended	265 °C
Dimensions		Peak Soldering Time, recommended	3 s / 10 s
Stripped Length	6.0 mm	Reflow Process	
PCB Hole Diameter	1.1 mm	Soldering Temperature, recommended	-
Materials		Peak Soldering Time, recommended	-
Solder Tag	Copper Alloy		
Tension Spring	Stainless Steel		

Colours

■ PEBBLE GREY, RAL 7032

Colours according to RAL, there may be variations on colour due to production conditions. Special colours on request.

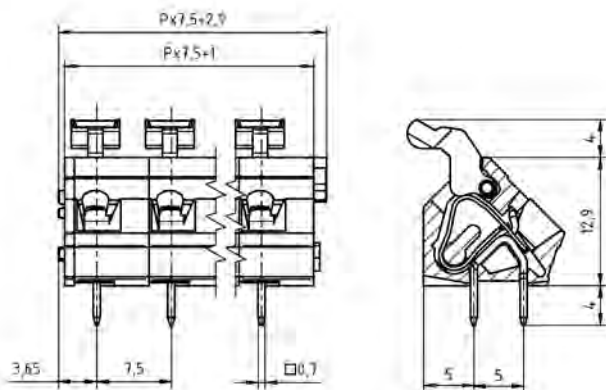
Order Data (Spacing 7.5 mm)

Poles	Width (mm)	Article Designation	Article Number	PU
1	10.40	AK3011/1WD-7.5-PEBBLE GREY	53011010071F	200
2	17.90	AK3011/2WD-7.5-PEBBLE GREY	53011020071E	100
3	25.40	AK3011/3WD-7.5-PEBBLE GREY	53011030071E	100
4	32.90	AK3011/4WD-7.5-PEBBLE GREY	53011040071E	100
5	40.40	AK3011/5WD-7.5-PEBBLE GREY	53011050071E	100
6	47.90	AK3011/6WD-7.5-PEBBLE GREY	53011060071D	50
7	55.40	AK3011/7WD-7.5-PEBBLE GREY	53011070071D	50
8	62.90	AK3011/8WD-7.5-PEBBLE GREY	53011080071D	50
9	70.40	AK3011/9WD-7.5-PEBBLE GREY	53011090071D	50
10	77.90	AK3011/10WD-7.5-PEBBLE GREY	53011100071D	50
11	85.40	AK3011/11WD-7.5-PEBBLE GREY	53011110071D	50
12	92.90	AK3011/12WD-7.5-PEBBLE GREY	53011120071D	50
13	100.40	AK3011/13WD-7.5-PEBBLE GREY	53011130071D	50
14	107.90	AK3011/14WD-7.5-PEBBLE GREY	53011140071D	50
15	115.40	AK3011/15WD-7.5-PEBBLE GREY	53011150071D	50
16	122.90	AK3011/16WD-7.5-PEBBLE GREY	53011160071D	50
17	130.40	AK3011/17WD-7.5-PEBBLE GREY	53011170071D	50
18	137.90	AK3011/18WD-7.5-PEBBLE GREY	53011180071D	50
19	145.40	AK3011/19WD-7.5-PEBBLE GREY	53011190071D	50
20	152.90	AK3011/20WD-7.5-PEBBLE GREY	53011200071D	50
21	160.40	AK3011/21WD-7.5-PEBBLE GREY	53011210071D	50
22	167.90	AK3011/22WD-7.5-PEBBLE GREY	53011220071D	50
23	175.40	AK3011/23WD-7.5-PEBBLE GREY	53011230071D	50
24	182.90	AK3011/24WD-7.5-PEBBLE GREY	53011240071D	50

Accessories

Figure	Designation	Article Number
	Bridge, 2-pole, insulated, BRV2-7.5/7.62-L8.2-LIGHT GREY	50000000017

See pages 282 ff for detail and general accessories and see pages 12/13 concerning services.



Ratings



Usegroup	B	C	D		
Rated Voltage	300 V	-	300 V	750 V	
Rated Current	16 A	-	10 A	24 A	
Rated Wire Size			min		max
	solid	AWG 28-14	-	AWG 28-14	0.5 mm ² 2.5 mm ²
	stranded	AWG 28-14	-	AWG 28-14	0.5 mm ² 2.5 mm ²
Test Voltage	1.6 kV		-	1.6 kV 3.0 kV	