

Series 7860 • 7860/G

- For high frequency measurements
- Compact design
- Also screwable type
- Inner conductor and outer tip are independently of each other and interchangeable

Mechanical Data • Inner Conductor

| | |
|--------------------------------|--------------|
| Full Travel | 3.70 mm |
| Working Travel | 2.00 mm |
| Pre-Loaded Spring Force | 0.65/ 0.95 N |
| Spring Force at Working Travel | 1.30/ 2.00 N |

Mechanical Data • Outer Conductor

| | |
|--------------------------------|--------------------|
| Full Travel | 5.00 mm |
| Working Travel | 4.00 mm |
| Pre-Loaded Spring Force | 1.50/ 3.00/ 4.00 N |
| Spring Force at Working Travel | 4.00/ 6.00/ 8.00 N |

Total Spring Force

| | |
|-------------------------------------|--|
| Full Spring Force at Working Travel | 5.30/ 6.00/ 7.30/ 8.00/ 9.30/ 10.00 N |
|-------------------------------------|--|

Electrical Data • Inner Conductor

| | |
|-----------------|-------------|
| Impedance | 50 Ohm |
| Frequency Range | up to 6 GHz |

Materials

| | |
|---------|--------------------|
| Barrel | Brass, gold plated |
| Spring | Steel, gold plated |
| Plunger | CuBe, gold plated |

Cable Data

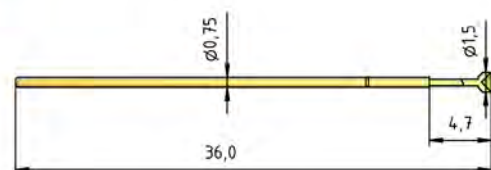
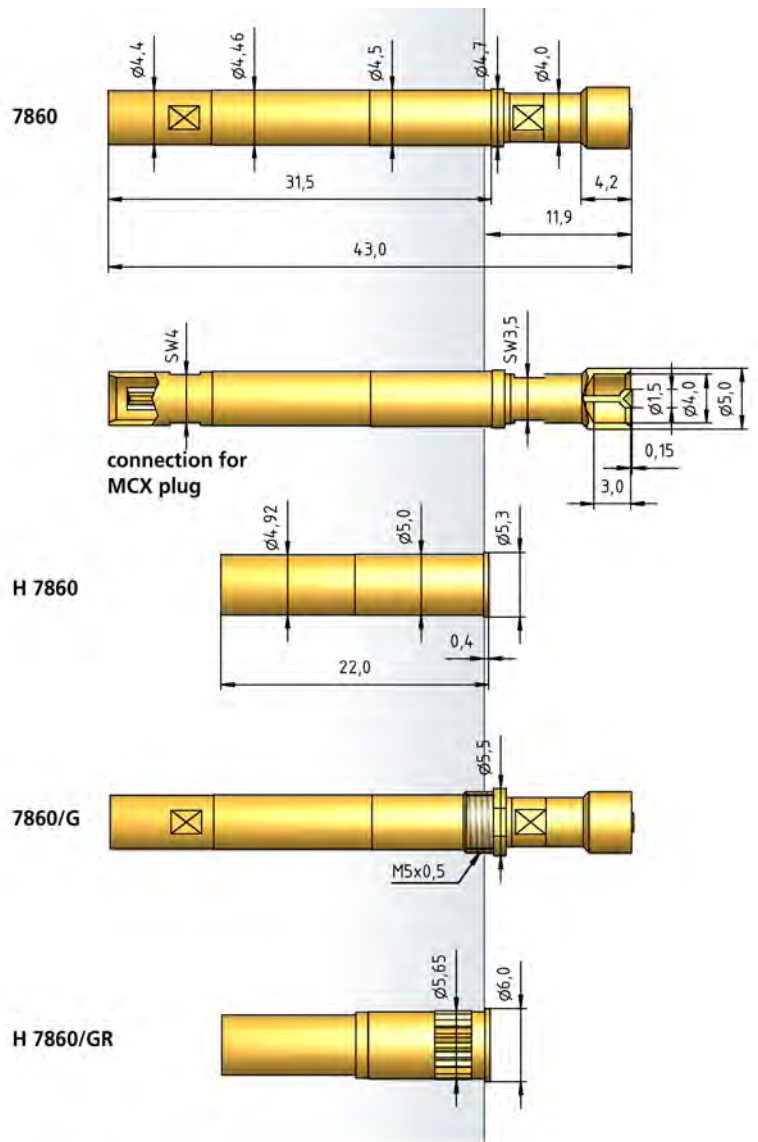
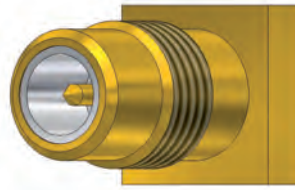
| | |
|------------------------------|--------------|
| Type | Multiflex 86 |
| Length | 750 mm |
| Connector Test Probe | MCX |
| Connector Testing Technology | SMA |

How to Order • Complete Test Probe

7860/ G - Z9 A - 5.3 N - Au - 5.0/ 1.5 C

1. Series 2. Variant Threaded Design 3. Outer Conductor Tip 4. Inner Conductor Tip 5. Total Spring Force 6. Tip Plating 7. Outer Tip Diameter 8. Inner Tip Diameter 9. Tip Material (only for CuBe)

SMC-m



How to Order • Inner Conductor

7860 - A - 1.3 N - Au - 1.5 C

1. Series 2. Inner Conductor Tip 3. Spring Force 4. Tip Plating 5. Tip Diameter 6. Tip Material (only for CuBe)