



STLZ950/..-5.08-V-GREEN-INV

Technical Data

Wire Sizes		Insulating Material	
Solid min	-	Material	PA 6.6
Solid max	-	Flammability Class	UL 94 V-0
Stranded (flexible) min	-	Temperatures	
Stranded (flexible) max	-	Operating Temperature	-30 °C - 105 °C
Stranded with Ferrule min	-	Wave Soldering Process	
Stranded with Ferrule max	-	Soldering Temperature, recommended	265 °C
Dimensions		Peak Soldering Time, recommended	3 s / 10 s
Stripped Length	-	Reflow Process	
PCB Hole Diameter	1.4 mm	Soldering Temperature, recommended	-
Materials		Peak Soldering Time, recommended	-
Contact Spring	Bronze		

Colours

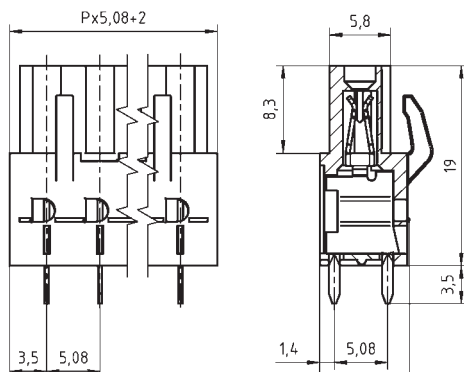
■ GREEN, RAL 6018 ■ LIGHT GREEN, similar RAL 6018

Colours according to RAL, there may be variations on colour due to production conditions. Special colours on request.

Counterparts (Spacing 5.08 mm)

Pin Strip / Terminal Block


STLZ950 STLZ990 STLZ970 AKZ950 AKZ5950



Order Data (Spacing 5.0 mm)



Poles	Width (mm)	Article Designation	Article Number	PU
2	12.16	STLZ950/2-5.08-V-GREEN-INV	50950029121F	200
3	17.24	STLZ950/3-5.08-V-GREEN-INV	50950039121F	200
4	22.32	STLZ950/4-5.08-V-GREEN-INV	50950049121F	200
5	27.40	STLZ950/5-5.08-V-GREEN-INV	50950059121E	100
6	32.48	STLZ950/6-5.08-V-GREEN-INV	50950069121E	100
7	37.56	STLZ950/7-5.08-V-GREEN-INV	50950079121E	100
8	42.64	STLZ950/8-5.08-V-GREEN-INV	50950089121D	50
9	47.72	STLZ950/9-5.08-V-GREEN-INV	50950099121D	50
10	52.80	STLZ950/10-5.08-V-GREEN-INV	50950109121D	50
11	57.88	STLZ950/11-5.08-V-GREEN-INV	50950119121D	50
12	62.96	STLZ950/12-5.08-V-GREEN-INV	50950129121D	50
13	68.04	STLZ950/13-5.08-V-GREEN-INV	50950139121D	50
14	73.12	STLZ950/14-5.08-V-GREEN-INV	50950149121D	50
15	78.20	STLZ950/15-5.08-V-GREEN-INV	50950159121D	50
16	83.28	STLZ950/16-5.08-V-GREEN-INV	50950169121D	50
17	88.36	STLZ950/17-5.08-V-GREEN-INV	50950179121D	50
18	93.44	STLZ950/18-5.08-V-GREEN-INV	50950189121D	50
19	98.52	STLZ950/19-5.08-V-GREEN-INV	50950199121D	50
20	103.60	STLZ950/20-5.08-V-GREEN-INV	50950209121D	50
21	108.68	STLZ950/21-5.08-V-GREEN-INV	50950219121D	50
22	113.76	STLZ950/22-5.08-V-GREEN-INV	50950229121D	50
23	118.84	STLZ950/23-5.08-V-GREEN-INV	50950239121D	50
24	123.92	STLZ950/24-5.08-V-GREEN-INV	50950249121D	50

Accessories

Figure	Designation	Article Number
	Coding Star CS4-5.0/5.08-RED	50000000026

See pages 282 ff for detail and general accessories and see pages 12/13 concerning services.

Ratings

Usegroup				
	B	C	D	
Rated Voltage	300 V	-	300 V	250 V
Rated Current	10 A	-	10 A	12 A
Overtoltage Category				III
Test Voltage	1.6 kV	-	1.6 kV	4.0 kV
Pollution Degree				3