

STL975/..G-5.0-H-GREEN



Technical Data

Wire Sizes		Insulating Material	
Solid min	-	Material	PA 6.6
Solid max	-	Flammability Class	UL 94 V-0
Stranded (flexible) min	-	Temperatures	
Stranded (flexible) max	-	Operating Temperature	-30 °C 105 °C
Stranded with Ferrule min	-	Wave Soldering Process	
Stranded with Ferrule max	-	Soldering Temperature, recommended	265 °C
Dimensions		Peak Soldering Time, recommended	3 s / 10 s
Stripped Length	-	Reflow Process	
PCB Hole Diameter	1.4 mm	Soldering Temperature, recommended	-
Materials		Peak Soldering Time, recommended	-
Contact Pin	Copper Alloy		

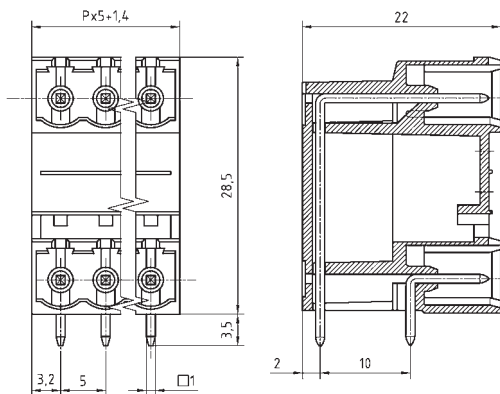
Colours

 GREEN, RAL 6018  LIGHT GREEN, similar RAL 6018

Colours according to RAL, there may be variations on colour due to production conditions. Special colours on request.

Counterparts (Spacing 5.0 mm)



Terminal Block			
AK950	AK955	AK1100	AK1110



Order Data (Spacing 5.0 mm)

Poles	Width (mm)	Article Designation	Article Number	PU
2	11.40	STL975/2G-5.0-H-GREEN	50975025001D	50
3	16.40	STL975/3G-5.0-H-GREEN	50975035001D	50
4	21.40	STL975/4G-5.0-H-GREEN	50975045001D	50
5	26.40	STL975/5G-5.0-H-GREEN	50975055001D	50
6	31.40	STL975/6G-5.0-H-GREEN	50975065001D	50
7	36.40	STL975/7G-5.0-H-GREEN	50975075001D	50
8	41.40	STL975/8G-5.0-H-GREEN	50975085001D	50
9	46.40	STL975/9G-5.0-H-GREEN	50975095001D	50
10	51.40	STL975/10G-5.0-H-GREEN	50975105001D	50
11	56.40	STL975/11G-5.0-H-GREEN	50975115001D	50
12	61.40	STL975/12G-5.0-H-GREEN	50975125001D	50
13	66.40	STL975/13G-5.0-H-GREEN	50975135001D	50
14	71.40	STL975/14G-5.0-H-GREEN	50975145001D	50
15	76.40	STL975/15G-5.0-H-GREEN	50975155001D	50
16	81.40	STL975/16G-5.0-H-GREEN	50975165001D	50
17	86.40	STL975/17G-5.0-H-GREEN	50975175001D	50
18	91.40	STL975/18G-5.0-H-GREEN	50975185001D	50
19	96.40	STL975/19G-5.0-H-GREEN	50975195001D	50
20	101.40	STL975/20G-5.0-H-GREEN	50975205001D	50
21	106.40	STL975/21G-5.0-H-GREEN	50975215001D	50
22	111.40	STL975/22G-5.0-H-GREEN	50975225001D	50
23	116.40	STL975/23G-5.0-H-GREEN	50975235001D	50
24	121.40	STL975/24G-5.0-H-GREEN	50975245001D	50

Accessories

Figure	Designation	Article Number
	Coding Star CS2-5.0/5.08-RED	50000000024
	Separating Element SE-STL950-GREEN	50950000002

See pages 282 ff for detail and general accessories and see pages 12/13 concerning services.

Ratings

Usegroup	UL US			VDE
	B	C	D	
Rated Voltage	300 V	150 V	300 V	250 V
Rated Current	15 A	15 A	10 A	12 A
Overvoltage Category				III
Test Voltage	1.6 kV	1.3 kV	1.6 kV	4.0 kV
Pollution Degree				3