

Series 1042/G

- Test probe for cable harness testing
- Screwable - threaded design
- Screwing tools available

Mechanical Data

Center	4.50 mm / 177 mil
Full Travel	7.00 mm
Working Travel	5.60 mm
Pre-Loaded Spring Force	0.40/ 0.80/ 0.80 N
Spring Force at Working Travel	1.50/ 3.00/ 5.00 N

Electrical Data

Connector / Receptacle

Max. Current Rating	5.0...8.0 A
Typical Continuity Resistance	≤ 30 mOhm

Connector / Plunger

Max. Current Rating	12.0...15.0 A
Typical Continuity Resistance	≤ 10 mOhm

Materials

Barrel	Brass, gold plated
Spring	Spring Steel, gold plated
Plunger	CuBe
Receptacle	Brass, gold plated

Recommended Diameter of Drill

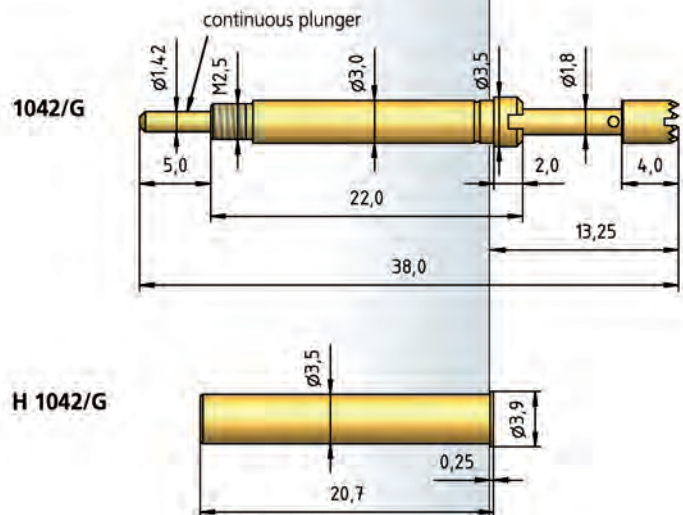
HP 2361.1 (Trolitax)	3.50 mm
HGW 2372 (Glass filled Material)	3.52 mm

Tip Style · Diameter · Plating



C

3.00C Au
4.00C Au



How to Order

1042/ G - C - 1.5 N - Au - 4.0 C

1 2 3 4 5 6 7

1. Series 2. Threaded Design 3. Tip Style 4. Spring Force 5. Tip Plating
6. Tip Diameter 7. Tip Material (only for CuBe)