

STLZ970/..-5.08-H-GREEN



Technical Data

Wire Sizes		Insulating Material	
Solid min	-	Material	PBT
Solid max	-	Flammability Class	UL 94 V-0
Stranded (flexible) min		Temperatures	
Stranded (flexible) max		Operating Temperature	-30 °C 105 °C
Stranded with Ferrule min		Wave Soldering Process	
Stranded with Ferrule max		Soldering Temperature, recommended	265 °C
Dimensions		Peak Soldering Time, recommended	3 s / 10 s
Stripped Length	-	Reflow Process	
PCB Hole Diameter	1.4 mm	Soldering Temperature, recommended	-
Materials		Peak Soldering Time, recommended	-
Contact Pin	Copper Alloy		

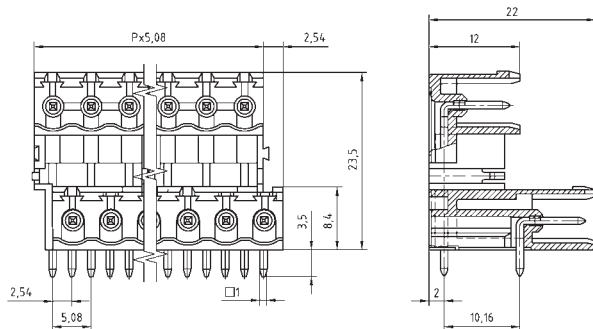
Colours

	GREEN, RAL 6018		PEBBLE GREY, RAL 7032
	LIGHT GREEN, similar RAL 6018		

Colours according to RAL, there may be variations on colour due to production conditions. Special colours on request.

Counterparts (Spacing 5.08 mm)




Pin Strip / Terminal Block						
STLZ950-INV	AKZ950	AKZ955	AKZ1100	AKZ1110	AKZ1200	AKZ4951



Order Data (Spacing 5.08 mm)

Poles	Width (mm)	Article Designation	Article Number	PU
2	12.70	STLZ970/2-5.08-H-GREEN	50970025031E	100
3	17.78	STLZ970/3-5.08-H-GREEN	50970035031E	100
4	22.86	STLZ970/4-5.08-H-GREEN	50970045031E	100
5	27.94	STLZ970/5-5.08-H-GREEN	50970055031D	50
6	33.02	STLZ970/6-5.08-H-GREEN	50970065031D	50
7	38.10	STLZ970/7-5.08-H-GREEN	50970075031D	50
8	43.18	STLZ970/8-5.08-H-GREEN	50970085031D	50
9	48.26	STLZ970/9-5.08-H-GREEN	50970095031D	50
10	53.34	STLZ970/10-5.08-H-GREEN	50970105031D	50
11	58.42	STLZ970/11-5.08-H-GREEN	50970115031D	50
12	63.50	STLZ970/12-5.08-H-GREEN	50970125031D	50

Accessories

Figure	Designation	Article Number
	Coding Star CS2-5.0/5.08-RED	50000000024
	Side Wall and/or Spacer SW/SE-STL970-GREEN	50970000000
	Separating Element SE-STL950-GREEN	50950000002

See pages 282 ff for detail and general accessories and see pages 12/13 concerning services.

Ratings

Usegroup	UL US			VDE
	B	C	D	
Rated Voltage	300 V	150 V	300 V	250 V
Rated Current	15 A	15 A	10 A	12 A
Overvoltage Category				III
Test Voltage	1.6 kV	1.3 kV	1.6 kV	4.0 kV
Pollution Degree				3