

## STLZ990/..-5.08-GREEN



## Technical Data

| Wire Sizes                |              | Insulating Material                |                 |
|---------------------------|--------------|------------------------------------|-----------------|
| Solid min                 | -            | Material                           | PA 6.6          |
| Solid max                 | -            | Flammability Class                 | UL 94 V-0       |
| Stranded (flexible) min   |              | <b>Temperatures</b>                |                 |
| Stranded (flexible) max   | -            | Operating Temperature              | -30 °C - 105 °C |
| Stranded with Ferrule min |              | <b>Wave Soldering Process</b>      |                 |
| Stranded with Ferrule max | -            | Soldering Temperature, recommended | 265 °C          |
| <b>Dimensions</b>         |              | Peak Soldering Time, recommended   | 3 s / 10 s      |
| Stripped Length           | -            | <b>Reflow Process</b>              |                 |
| PCB Hole Diameter         | 1.4 mm       | Soldering Temperature, recommended | -               |
| <b>Materials</b>          |              | Peak Soldering Time, recommended   | -               |
| Contact Pin               | Copper Alloy |                                    |                 |

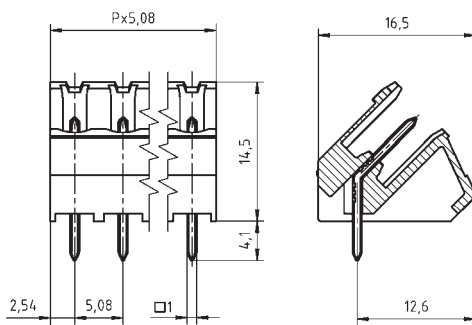
## Colours

 GREEN, RAL 6018  LIGHT GREEN, similar RAL 6018

Colours according to RAL, there may be variations on colour due to production conditions. Special colours on request.

## Counterparts (Spacing 5.08 mm)



| Pin Strip / Terminal Block |        |        |         |         |         |         |
|----------------------------|--------|--------|---------|---------|---------|---------|
| STLZ950-INV                | AKZ950 | AKZ955 | AKZ1100 | AKZ1110 | AKZ1200 | AKZ4951 |



## Order Data (Spacing 5.08 mm)



| Poles | Width (mm) | Article Designation   | Article Number | PU  |
|-------|------------|-----------------------|----------------|-----|
| 2     | 10.16      | STLZ990/2-5.08-GREEN  | 50990025131F   | 200 |
| 3     | 15.24      | STLZ990/3-5.08-GREEN  | 50990035131F   | 200 |
| 4     | 20.32      | STLZ990/4-5.08-GREEN  | 50990045131F   | 200 |
| 5     | 25.40      | STLZ990/5-5.08-GREEN  | 50990055131E   | 100 |
| 6     | 30.48      | STLZ990/6-5.08-GREEN  | 50990065131E   | 100 |
| 7     | 35.56      | STLZ990/7-5.08-GREEN  | 50990075131E   | 100 |
| 8     | 40.64      | STLZ990/8-5.08-GREEN  | 50990085131D   | 50  |
| 9     | 45.72      | STLZ990/9-5.08-GREEN  | 50990095131D   | 50  |
| 10    | 50.80      | STLZ990/10-5.08-GREEN | 50990105131D   | 50  |
| 11    | 55.88      | STLZ990/11-5.08-GREEN | 50990115131D   | 50  |
| 12    | 60.96      | STLZ990/12-5.08-GREEN | 50990125131D   | 50  |
| 13    | 66.04      | STLZ990/13-5.08-GREEN | 50990135131D   | 50  |
| 14    | 71.12      | STLZ990/14-5.08-GREEN | 50990145131D   | 50  |
| 15    | 76.20      | STLZ990/15-5.08-GREEN | 50990155131D   | 50  |
| 16    | 81.28      | STLZ990/16-5.08-GREEN | 50990165131D   | 50  |
| 17    | 86.36      | STLZ990/17-5.08-GREEN | 50990175131D   | 50  |
| 18    | 91.44      | STLZ990/18-5.08-GREEN | 50990185131D   | 50  |
| 19    | 96.52      | STLZ990/19-5.08-GREEN | 50990195131D   | 50  |
| 20    | 101.60     | STLZ990/20-5.08-GREEN | 50990205131D   | 50  |
| 21    | 106.68     | STLZ990/21-5.08-GREEN | 50990215131D   | 50  |
| 22    | 111.76     | STLZ990/22-5.08-GREEN | 50990225131D   | 50  |
| 23    | 116.84     | STLZ990/23-5.08-GREEN | 50990235131D   | 50  |
| 24    | 121.92     | STLZ990/24-5.08-GREEN | 50990245131D   | 50  |

## Accessories

| Figure  | Designation                        | Article Number |
|---|------------------------------------|----------------|
|  | Coding Star CS2-5.0/5.08-RED       | 50000000024    |
|  | Separating Element SE-STL950-GREEN | 50950000002    |

See pages 282 ff for detail and general accessories and see pages 12/13 concerning services.

## Ratings

| Usegroup             | c  |        |        |  |
|----------------------|---|--------|--------|---|
|                      | B   | C      | D      |   |
| Rated Voltage        | 300 V   | 150 V  | 300 V  | 250 V   |
| Rated Current        | 15 A  | 15 A   | 10 A   | 10 A  |
| Overvoltage Category |   |        |        | III   |
| Test Voltage         | 1.6 kV  | 1.3 kV | 1.6 kV | 4.0 kV  |
| Pollution Degree     |   |        |        | 3   |