

AK1110/..-5.0-GREEN AKZ1110/..-5.08-GREEN



Technical Data

Wire Sizes		Insulating Material	
Solid min	0.2 mm ²	Material	PA 6.6
Solid max	4.0 mm ²	Flammability Class	UL 94 V-0
Stranded (flexible) min	0.2 mm ²	Temperatures	
Stranded (flexible) max	2.5 mm ²	Operating Temperature	-30 °C - 105 °C
Stranded with Ferrule min	0.25 mm ²	Wave Soldering Process	
Stranded with Ferrule max	2.5 mm ²	Soldering Temperature, recommended	-
Dimensions		Peak Soldering Time, recommended	-
Stripped Length	7.0 mm	Reflow Process	
PCB Hole Diameter	-	Soldering Temperature, recommended	-
Materials		Peak Soldering Time, recommended	-
Clamp	Brass		
Screw	Steel		
Contact Spring	Bronze		

Colours

- GREEN, RAL 6018
- LIGHT GREY, RAL 7035
- LIGHT GREEN, similar RAL 6018

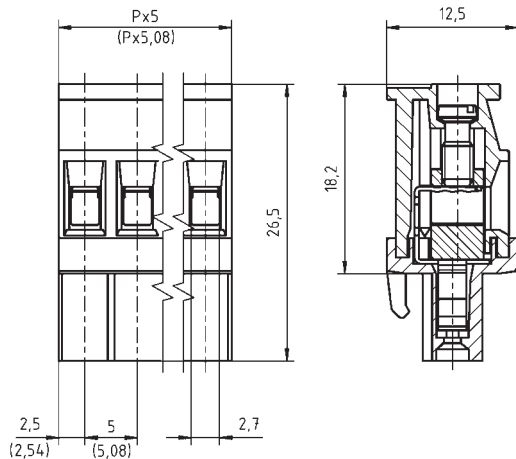
Colours according to RAL, there may be variations on colour due to production conditions. Special colours on request.

Counterparts (Spacing 5.0 mm)

Pin Strip		
STL950	STL955	STL975

Counterparts (Spacing 5.08 mm)

Pin Strip / Terminal Block				
STLZ950	STLZ970	STLZ990	AKZ950	AKZS950



Order Data (Spacing 5.0 mm)

Poles	Width (mm)	Article Designation	Article Number	PU
2	10.00	AK1110/2-5.0-GREEN	51110020021F	200
3	15.00	AK1110/3-5.0-GREEN	51110030021F	200
4	20.00	AK1110/4-5.0-GREEN	51110040021E	100
5	25.00	AK1110/5-5.0-GREEN	51110050021E	100
6	30.00	AK1110/6-5.0-GREEN	51110060021E	100
7	35.00	AK1110/7-5.0-GREEN	51110070021E	100
8	40.00	AK1110/8-5.0-GREEN	51110080021D	50
9	45.00	AK1110/9-5.0-GREEN	51110090021D	50
...
20	100.00	AK1110/20-5.0-GREEN	51110200021D	50

Order Data (Spacing 5.08 mm)

Poles	Width (mm)	Article Designation	Article Number	PU
2	10.16	AKZ1110/2-5.08-GREEN	51110020001F	200
3	15.24	AKZ1110/3-5.08-GREEN	51110030001F	200
4	20.32	AKZ1110/4-5.08-GREEN	51110040001E	100
5	25.40	AKZ1110/5-5.08-GREEN	51110050001E	100
6	30.48	AKZ1110/6-5.08-GREEN	51110060001E	100
7	35.56	AKZ1110/7-5.08-GREEN	51110070001E	100
8	40.64	AKZ1110/8-5.08-GREEN	51110080001D	50
9	45.72	AKZ1110/9-5.08-GREEN	51110090001D	50
...
15	76.20	AKZ1110/15-5.08-GREEN	51110150001D	50

Accessories

Figure	Designation	Article Number
	Bridge, 2-pole, insulated, BR/2-5.0/5.08-LIGHT GREY	50000000006
	Bridge, 3-pole, insulated, BR/3-5.0/5.08-LIGHT GREY	50000000007
	Bridge, 2-pole, BR/2-5.0/5.08-L7.0	50000000008
	Coding Star CS1-5.0/5.08-RED	50000000021
	Series AK(Z)1110 with separating element	on request
	Series AK(Z)1110 with pull relief	on request

See pages 282 ff for detail and general accessories and see pages 12/13 concerning services.

Ratings

Usegroup	UL US			VDE	
	B	C	D	III	
Rated Voltage	300 V	150 V	300 V	250 V	
Rated Current	15 A	15 A	10 A	10 A	
Overvoltage Category				III	
Rated Wire Size			min		max
	solid	AWG 22-10	AWG 22-10	AWG 22-10	0.5 mm ² (6 A) 2.5 mm ² (10 A)
	stranded	AWG 22-10	AWG 22-10	AWG 22-10	0.5 mm ² (6 A) 2.5 mm ² (10 A)
Torque	0.50 Nm	0.50 Nm	0.50 Nm	0.50 Nm	
Screw Size	M3	M3	M3	M3	
Test Voltage	1.6 kV	1.3 kV	1.6 kV	4.0 kV	
Pollution Degree					3