

# Series 5099.04

- Short, compact size
- Board-to-board contacting
- For use in charging units

## Mechanical Data

|                                |                   |
|--------------------------------|-------------------|
| Center                         | 3.00 mm / 118 mil |
| Full Travel                    | 4.00 mm           |
| Working Travel                 | 3.30 mm           |
| Pre-Loaded Spring Force        | 0.15/ 0.25 N      |
| Spring Force at Working Travel | 0.50/ 2.00 N      |

## Electrical Data

|                               |             |
|-------------------------------|-------------|
| Max. Current Rating           | 5.0...8.0 A |
| Typical Continuity Resistance | ≤ 20 mOhm   |

## Materials

|            |                           |
|------------|---------------------------|
| Barrel     | Brass, gold plated        |
| Spring     | Spring Steel, gold plated |
| Plunger    | CuBe, gold plated         |
| Receptacle | Brass, gold plated        |

## Recommended Diameter of Drill

### with Receptacle

|                                  |         |
|----------------------------------|---------|
| HP 2361.1 (Trolitax)             | 2.29 mm |
| HGW 2372 (Glass filled Material) | 2.30 mm |

### without Receptacle

|                                  |         |
|----------------------------------|---------|
| HP 2361.1 (Trolitax)             | 1.99 mm |
| HGW 2372 (Glass filled Material) | 2.00 mm |

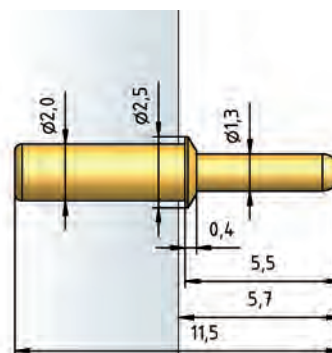
## Tip Style · Diameter · Plating



**D4**

1.30C Au

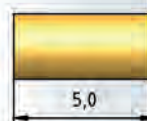
**5099.04**



**H 5099-25**



**H 5099-50**



## How to Order

**5099 .04 - D4 - 2.0 N - Au - 1.3 C**

1 2 3 4 5 6 7

1. Series 2. Variant 3. Tip Style 4. Spring Force 5. Tip Plating 6. Tip Diameter  
7. Tip Material (only for CuBe)