

Series 1018.06

- Universal field of application
- Contacting of assembled PCBs

Mechanical Data

Center	2.54 mm / 100 mil
Full Travel	4.10 mm
Working Travel	2.70 mm
Pre-Loaded Spring Force	0.60 N
Spring Force at Working Travel	1.80 N

Electrical Data

Max. Current Rating	3.0 A
Typical Continuity Resistance	≤ 30 mOhm

Materials

Barrel	Bronze, gold plated
Spring	Spring Steel, gold plated
Plunger	Steel
Receptacle	Bronze, gold plated

Recommended Diameter of Drill

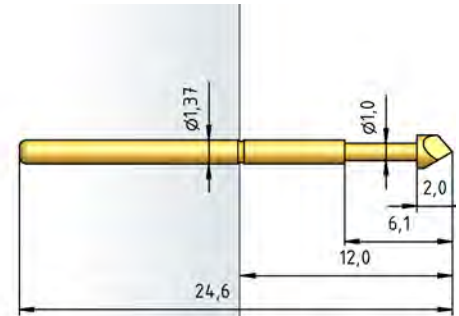
HP 2361.1 (Trolitax)	1.67 mm
with pressed-in ring	1.75 mm
HGW 2372 (Glass filled Material)	1.69 mm
with pressed-in ring	1.76 mm

Tip Style · Diameter · Plating

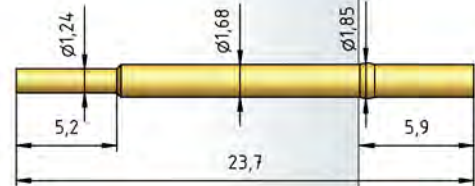


G6	H6
1.54 Au	1.90C Au

1018.06



H 1015 C



H 1015 L



H 1015 W



H 1015 C-K



H 1015 L-K



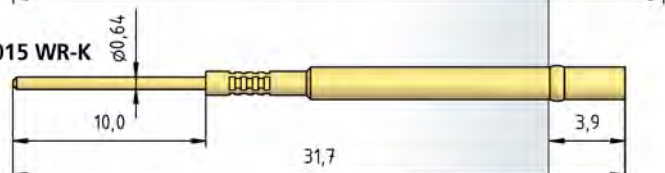
H 1015 W-K



H 1015 WR



H 1015 WR-K



How to Order

1018 .06 - H6 - 1.0 N - Au - 1.9 C

1. Series 2. Variant 3. Tip Style 4. Spring Force 5. Tip Plating 6. Tip Diameter
7. Tip Material (only for CuBe)