



Excenter | Spacing 5.0 mm / 5.08 mm

AK1200/..-5.0-GREEN AKZ1200/..-5.08-GREEN

17- to 24-poles on request

Technical Data

Wire Sizes		Insulating Material	
Solid min	0.2 mm ²	Material	PA 6.6
Solid max	4.0 mm ²	Flammability Class	UL 94 V-0
Stranded (flexible) min	0.2 mm ²	Temperatures	
Stranded (flexible) max	2.5 mm ²	Operating Temperature	-30 °C - 105 °C
Stranded with Ferrule min	0.25 mm ²	Wave Soldering Process	
Stranded with Ferrule max	2.5 mm ²	Soldering Temperature, recommended	-
Dimensions		Peak Soldering Time, recommended	-
Stripped Length	10.0 mm	Reflow Process	
PCB Hole Diameter	-	Soldering Temperature, recommended	-
Materials		Peak Soldering Time, recommended	-
Screw	Steel		
Contact Spring	Bronze		
Clamp Cage	Steel		
Excenter	Steel		

Colours

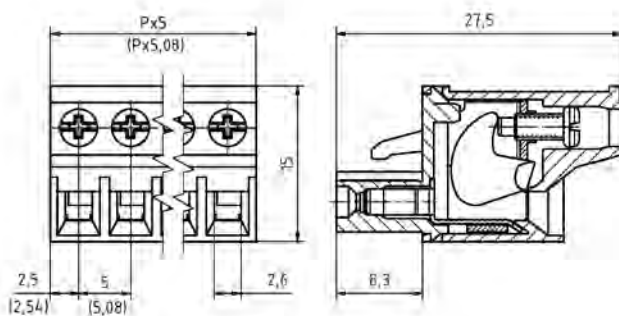
 GREEN, RAL 6018
  LIGHT GREEN, similar RAL 6018
 Colours according to RAL, there may be variations on colour due to production conditions. Special colours on request.

Counterparts (Spacing 5.0 mm)

Pin Strip		
STL950	STL955	STL975

Counterparts (Spacing 5.8 mm)

Pin Strip / Terminal Block				
STLZ950	STLZ970	STLZ990	AKZ950-INV	AKZS950





Order Data (Spacing 5.0 mm)

Poles	Width (mm)	Article Designation	Article Number	PU
2	10.00	AK1200/2-5.0-GREEN	51200020001D	50
3	15.00	AK1200/3-5.0-GREEN	51200030001D	50
4	20.00	AK1200/4-5.0-GREEN	51200040001D	50
5	25.00	AK1200/5-5.0-GREEN	51200050001D	50
6	30.00	AK1200/6-5.0-GREEN	51200060001D	50
7	35.00	AK1200/7-5.0-GREEN	51200070001D	50
8	40.00	AK1200/8-5.0-GREEN	51200080001D	50
9	45.00	AK1200/9-5.0-GREEN	51200090001D	50
...
16	80.00	AK1200/16-5.0-GREEN	51200160001D	50

Order Data (Spacing 5.08 mm)



Poles	Width (mm)	Article Designation	Article Number	PU
2	10.16	AKZ1200/2-5.08-GREEN	51200020021D	50
3	15.24	AKZ1200/3-5.08-GREEN	51200030021D	50
4	20.32	AKZ1200/4-5.08-GREEN	51200040021D	50
5	25.40	AKZ1200/5-5.08-GREEN	51200050021D	50
6	30.48	AKZ1200/6-5.08-GREEN	51200060021D	50
7	35.56	AKZ1200/7-5.08-GREEN	51200070021D	50
8	40.64	AKZ1200/8-5.08-GREEN	51200080021D	50
9	45.72	AKZ1200/9-5.08-GREEN	51200090021D	50
...
16	81.28	AKZ1200/16-5.08-GREEN	51200160021D	50

Accessories

Figure	Designation	Article Number
	Coding Star CS4-5.0/5.08-RED	50000000026
	Series AKZ1200 with pull relief	on request

See pages 282 ff for detail and general accessories and see pages 12/13 concerning services.

Ratings

Usegroup					
	B	C	D	III	
Rated Voltage	300 V	150 V	300 V	250 V	
Rated Current	15 A	15 A	10 A	12 A	
Overvoltage Category				III	
Rated Wire Size			min		max
	solid	AWG 22-12	AWG 22-12	AWG 22-12	0.2 mm ² (4 A) 2.5 mm ² (12 A)
	stranded	AWG 22-12	AWG 22-12	AWG 22-12	0.2 mm ² (4 A) 2.5 mm ² (12 A)
Torque	0.50 Nm		0.50 Nm	0.50 Nm	
Screw Size	M2.5		M2.5	M2.5	
Test Voltage	1.6 kV		1.3 kV	1.6 kV 4.0 kV	
Pollution Degree				3	