



AK3101/..KD-5.0-PEBBLE GREY

1- to n-poles

Technical Data

Wire Sizes		Insulating Material	
Solid min	0.14 mm ²	Material	PA 6.6
Solid max	2.5 mm ²	Flammability Class	UL 94 V-0
Stranded (flexible) min	0.14 mm ²	Temperatures	
Stranded (flexible) max	2.5 mm ²	Operating Temperature	-30 °C - 105 °C
Stranded with Ferrule min	0.14 mm ²	Wave Soldering Process	
Stranded with Ferrule max	1.5 mm ²	Soldering Temperature, recommended	265 °C
Dimensions		Peak Soldering Time, recommended	3 s / 10 s
Stripped Length	6.0 mm	Reflow Process	
PCB Hole Diameter	1.1 mm	Soldering Temperature, recommended	-
Materials		Peak Soldering Time, recommended	-
Solder Tag	Copper Alloy		
Tension Spring	Stainless Steel		

Colours




 PEBBLE GREY, RAL 7032

Colours according to RAL, there may be variations on colour due to production conditions. Special colours on request.

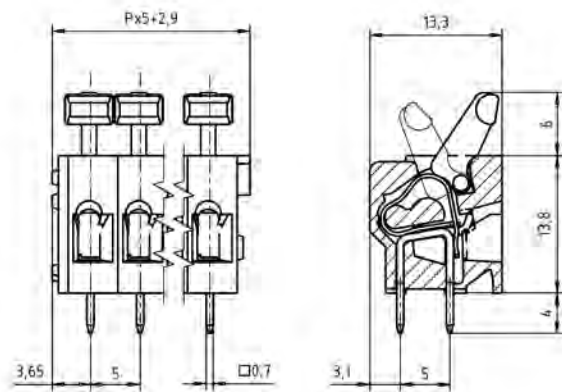
Order Data (Spacing 5.0 mm)

Poles	Width (mm)	Article Designation	Article Number	PU
1	7.90	AK3101/1KD-5.0-PEBBLE GREY	53101010001G	250
2	12.90	AK3101/2KD-5.0-PEBBLE GREY	53101020001F	200
3	17.90	AK3101/3KD-5.0-PEBBLE GREY	53101030001F	200
4	22.90	AK3101/4KD-5.0-PEBBLE GREY	53101040001F	200
5	27.90	AK3101/5KD-5.0-PEBBLE GREY	53101050001E	100
6	32.90	AK3101/6KD-5.0-PEBBLE GREY	53101060001E	100
7	37.90	AK3101/7KD-5.0-PEBBLE GREY	53101070001E	100
8	42.90	AK3101/8KD-5.0-PEBBLE GREY	53101080001D	50
9	47.90	AK3101/9KD-5.0-PEBBLE GREY	53101090001D	50
10	52.90	AK3101/10KD-5.0-PEBBLE GREY	53101100001D	50
11	57.90	AK3101/11KD-5.0-PEBBLE GREY	53101110001D	50
12	62.90	AK3101/12KD-5.0-PEBBLE GREY	53101120001D	50
13	67.90	AK3101/13KD-5.0-PEBBLE GREY	53101130001D	50
14	72.90	AK3101/14KD-5.0-PEBBLE GREY	53101140001D	50
15	77.90	AK3101/15KD-5.0-PEBBLE GREY	53101150001D	50
16	82.90	AK3101/16KD-5.0-PEBBLE GREY	53101160001D	50
17	87.90	AK3101/17KD-5.0-PEBBLE GREY	53101170001D	50
18	92.90	AK3101/18KD-5.0-PEBBLE GREY	53101180001D	50
19	97.90	AK3101/19KD-5.0-PEBBLE GREY	53101190001D	50
20	102.90	AK3101/20KD-5.0-PEBBLE GREY	53101200001D	50
21	107.90	AK3101/21KD-5.0-PEBBLE GREY	53101210001D	50
22	112.90	AK3101/22KD-5.0-PEBBLE GREY	53101220001D	50
23	117.90	AK3101/23KD-5.0-PEBBLE GREY	53101230001D	50
24	122.90	AK3101/24KD-5.0-PEBBLE GREY	53101240001D	50

Accessories

Figure	Designation	Article Number
	Bridge, 2-pole, insulated, BR/2-5.0/5.08-LIGHT GREY	50000000006
	Bridge, 3-pole, insulated, BR/3-5.0/5.08-LIGHT GREY	50000000007
	Bridge, 2-pole, BR/2-5.0/5.08-L7.0	50000000008

See pages 282 ff for detail and general accessories and see pages 12/13 concerning services.



Ratings



Usegroup	B	C	D		
Rated Voltage	300 V	-	300 V	250 V	
Rated Current	16 A	-	10 A	24 A	
Rated Wire Size			min		max
	solid	AWG 28-14	-	AWG 28-14	0.5 mm ² 2.5 mm ²
	stranded	AWG 28-14	-	AWG 28-14	0.5 mm ² 2.5 mm ²
Test Voltage	1.6 kV		-	1.6 kV	2.0 kV