



AK4551/..FKD-3.5-BASALT GREY AKZ4551/..FKD-3.81-BASALT GREY

Technical Data

Wire Sizes		Insulating Material	
Solid min	0.14 mm ²	Material	PA 6.6
Solid max	2.5 mm ²	Flammability Class	UL 94 V-0
Stranded (flexible) min		Temperatures	
Stranded (flexible) min	0.14 mm ²	Operating Temperature	-30 °C - 105 °C
Stranded (flexible) max	1.5 mm ²	Wave Soldering Process	
Stranded with Ferrule min	0.25 mm ²	Soldering Temperature, recommended	-
Stranded with Ferrule max	1.0 mm ²	Peak Soldering Time, recommended	-
Dimensions		Reflow Process	
Stripped Length	11.0 mm	Soldering Temperature, recommended	-
PCB Hole Diameter	-	Peak Soldering Time, recommended	-
Materials			
Screw, Flange	Steel		
Contact Spring	Copper Alloy		
Clamp Spring	Stainless Steel		

Colours

	BASALT GREY, RAL 7012		GREEN, RAL 6018
	LIGHT GREEN, similar RAL 6018		

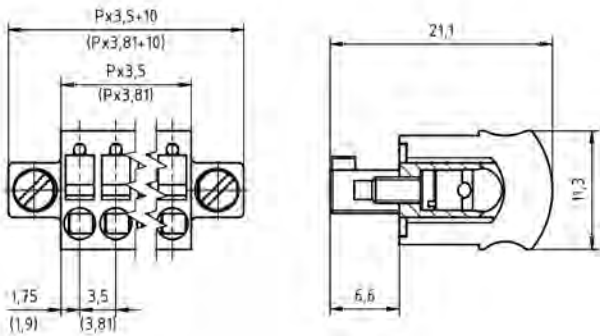
Colours according to RAL, there may be variations on colour due to production conditions. Special colours on request.

Counterparts (Spacing 3.5 mm)

Pin Strip	
STL1550	

Counterparts (Spacing 3.81 mm)

Pin Strip	
STLZ1550	STLZ1570



Order Data (Spacing 3.5 mm)

Poles	Width (mm)	Article Designation	Article Number	PU
2	17.00	AK4551/2FKD-3.5-BASALT GREY	54551022401F	200
3	20.50	AK4551/3FKD-3.5-BASALT GREY	54551032401F	200
4	24.00	AK4551/4FKD-3.5-BASALT GREY	54551042401F	200
5	27.50	AK4551/5FKD-3.5-BASALT GREY	54551052401F	200
6	31.00	AK4551/6FKD-3.5-BASALT GREY	54551062401E	100
7	34.50	AK4551/7FKD-3.5-BASALT GREY	54551072401E	100
8	38.00	AK4551/8FKD-3.5-BASALT GREY	54551082401D	50
9	41.50	AK4551/9FKD-3.5-BASALT GREY	54551092401D	50
...
20	80.00	AK4551/20FKD-3.5-BASALT GREY	54551202401D	50

Order Data (Spacing 3.81 mm)

Poles	Width (mm)	Article Designation	Article Number	PU
2	17.62	AKZ4551/2FKD-3.81-BASALT GREY	54551022421F	200
3	21.43	AKZ4551/3FKD-3.81-BASALT GREY	54551032421F	200
4	25.24	AKZ4551/4FKD-3.81-BASALT GREY	54551042421F	200
5	29.05	AKZ4551/5FKD-3.81-BASALT GREY	54551052421F	200
6	32.86	AKZ4551/6FKD-3.81-BASALT GREY	54551062421E	100
7	36.67	AKZ4551/7FKD-3.81-BASALT GREY	54551072421E	100
8	40.48	AKZ4551/8FKD-3.81-BASALT GREY	54551082421D	50
9	44.29	AKZ4551/9FKD-3.81-BASALT GREY	54551092421D	50
...
20	86.20	AKZ4551/20FKD-3.81-BASALT GREY	54551202421D	50

Accessories

Figure	Designation	Article Number
	Series AK(Z)4551 with pull relief	on request

See pages 282 ff for detail and general accessories and see pages 12/13 concerning services.

Ratings

Usegroup	c ALUS		VDE	
	B	C	D	
Rated Voltage	300 V	-	300 V	160 V
Rated Current	10 A	-	10 A	10 A
Overvoltage Category				III
Rated Wire Size			min	max
	solid	AWG 26-16	-	AWG 26-16
	stranded	AWG 26-16	-	AWG 26-16
Test Voltage	1.6 kV		1.6 kV	
Pollution Degree	3			