

AKZ965/..F-7.62-GREEN



Technical Data

Wire Sizes		Insulating Material	
Solid min	0.08 mm ²	Material	PA 6.6
Solid max	4.0 mm ²	Flammability Class	UL 94 V-0
Stranded (flexible) min	0.08 mm ²	Temperatures	
Stranded (flexible) max	4.0 mm ²	Operating Temperature	-30 °C - 105 °C
Stranded with Ferrule min	0.25 mm ²	Wave Soldering Process	
Stranded with Ferrule max	2.5 mm ²	Soldering Temperature, recommended	-
Dimensions		Peak Soldering Time, recommended	-
Stripped Length	7.0 mm	Reflow Process	
PCB Hole Diameter	-	Soldering Temperature, recommended	-
Materials		Peak Soldering Time, recommended	-
Clamp	Brass		
Screw	Steel		
Contact Spring	Bronze		

Colours

 GREEN, RAL 6018
  LIGHT GREEN, similar RAL 6018

Colours according to RAL, there may be variations on colour due to production conditions. Special colours on request.




Counterparts (Spacing 7.62 mm)

Pin Strip
STLZ965

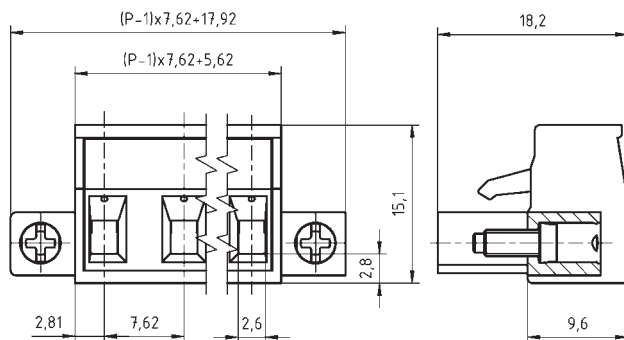
Order Data (Spacing 7.62 mm)

Poles	Width (mm)	Article Designation	Article Number	PU
2	25.54	AKZ965/2F-7.62-GREEN	50965022021E	100
3	33.16	AKZ965/3F-7.62-GREEN	50965032021E	100
4	40.78	AKZ965/4F-7.62-GREEN	50965042021D	50
5	48.40	AKZ965/5F-7.62-GREEN	50965052021D	50
6	56.02	AKZ965/6F-7.62-GREEN	50965062021D	50
7	63.64	AKZ965/7F-7.62-GREEN	50965072021D	50
8	71.26	AKZ965/8F-7.62-GREEN	50965082021D	50
9	78.88	AKZ965/9F-7.62-GREEN	50965092021D	50
10	86.50	AKZ965/10F-7.62-GREEN	50965102021D	50
11	94.12	AKZ965/11F-7.62-GREEN	50965112021D	50
12	101.74	AKZ965/12F-7.62-GREEN	50965122021D	50
13	109.36	AKZ965/13F-7.62-GREEN	50965132021D	50
14	116.98	AKZ965/14F-7.62-GREEN	50965142021D	50
15	124.60	AKZ965/15F-7.62-GREEN	50965152021D	50
16	132.22	AKZ965/16F-7.62-GREEN	50965162021D	50

Accessories

Figure	Designation	Article Number
	Bridge, 2-pole, insulated, BRI/2-7.5/7.62-L8.2-LIGHT GREY	50000000017
	Coding Star CS4-5.0/5.08-RED	50000000026
	Series AKZ965 with pull relief	on request

See pages 282 ff for detail and general accessories and see pages 12/13 concerning services.



Ratings



Usegroup	B	C	D		
Rated Voltage	300 V	-	300 V	400 V	
Rated Current	10 A	-	10 A	12 A	
Overvoltage Category				III	
Rated Wire Size			min		max
	solid	AWG 28-12	-	AWG 28-12	0.2 mm ² (4 A) 2.5 mm ² (12 A)
	stranded	AWG 28-12	-	AWG 28-12	0.2 mm ² (4 A) 2.5 mm ² (12 A)
Torque	0.50 Nm		-	0.50 Nm	0.50 Nm
Screw Size	M3		-	M3	M3
Test Voltage	1.6 kV		-	1.6 kV	6.0 kV
Pollution Degree	3				