



AK4561/..FKD-3.5-BASALT GREY AKZ4561/..FKD-3.81-BASALT GREY

Technical Data

Wire Sizes		Insulating Material	
Solid min	0.14 mm ²	Material	PA 6.6
Solid max	2.5 mm ²	Flammability Class	UL 94 V-0
Stranded (flexible) min		Temperatures	
Stranded (flexible) min	0.14 mm ²	Operating Temperature	-30 °C - 105 °C
Stranded (flexible) max	1.5 mm ²	Wave Soldering Process	
Stranded with Ferrule min	0.25 mm ²	Soldering Temperature, recommended	-
Stranded with Ferrule max	1.0 mm ²	Peak Soldering Time, recommended	-
Dimensions		Reflow Process	
Stripped Length	11.0 mm	Soldering Temperature, recommended	-
PCB Hole Diameter	-	Peak Soldering Time, recommended	-
Materials			
Screw, Flange	Steel		
Contact Spring	Copper Alloy		
Clamp Spring	Stainless Steel		

Colours

BASALT GREY, RAL 7012	GREEN, RAL 6018
LIGHT GREEN, similar RAL 6018	

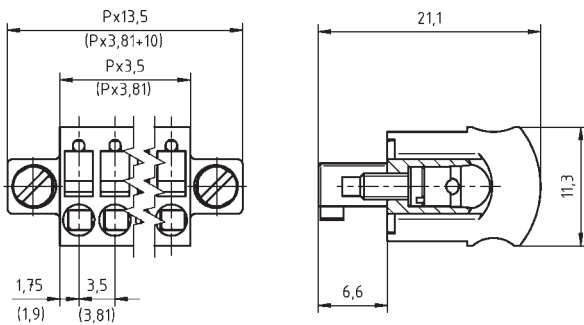
Colours according to RAL, there may be variations on colour due to production conditions. Special colours on request.

Counterparts (Spacing 3.5 mm)

Pin Strip
STL1550

Counterparts (Spacing 3.81 mm)

Pin Strip
STLZ1550 STLZ1570



Order Data (Spacing 3.5 mm)

Poles	Width (mm)	Article Designation	Article Number	PU
2	17.00	AK4561/2FKD-3.5-BASALT GREY	54561022401F	200
3	20.50	AK4561/3FKD-3.5-BASALT GREY	54561032401F	200
4	24.00	AK4561/4FKD-3.5-BASALT GREY	54561042401F	200
5	27.50	AK4561/5FKD-3.5-BASALT GREY	54561052401F	200
6	31.00	AK4561/6FKD-3.5-BASALT GREY	54561062401E	100
7	34.50	AK4561/7FKD-3.5-BASALT GREY	54561072401E	100
8	38.00	AK4561/8FKD-3.5-BASALT GREY	54561082401D	50
9	41.50	AK4561/9FKD-3.5-BASALT GREY	54561092401D	50
...
20	80.00	AK4561/20FKD-3.5-BASALT GREY	54561202401D	50

Order Data (Spacing 3.81 mm)

Poles	Width (mm)	Article Designation	Article Number	PU
2	12.62	AKZ4561/2FKD-3.81-BASALT GREY	54561022421F	200
3	16.43	AKZ4561/3FKD-3.81-BASALT GREY	54561032421F	200
4	20.24	AKZ4561/4FKD-3.81-BASALT GREY	54561042421F	200
5	24.05	AKZ4561/5FKD-3.81-BASALT GREY	54561052421F	200
6	27.86	AKZ4561/6FKD-3.81-BASALT GREY	54561062421E	100
7	31.67	AKZ4561/7FKD-3.81-BASALT GREY	54561072421E	100
8	35.48	AKZ4561/8FKD-3.81-BASALT GREY	54561082421D	50
9	39.29	AKZ4561/9FKD-3.81-BASALT GREY	54561092421D	50
...
20	81.20	AKZ4561/20FKD-3.81-BASALT GREY	54561202421D	50

Accessories

Figure	Designation	Article Number
	Series AK(Z)4561 with pull relief	on request

See pages 282 ff for detail and general accessories and see pages 12/13 concerning services.

Ratings

Usegroup	c ALUS		VDE	
	B	C	D	
Rated Voltage	300 V	-	300 V	160 V
Rated Current	10 A	-	10 A	10 A
Overvoltage Category				III
Rated Wire Size			min	max
	solid	AWG 26-16	-	AWG 26-16 0.14 mm ² (3 A) 2.5 mm ² (10 A)
	stranded	AWG 26-16	-	AWG 26-16 0.14 mm ² (3 A) 1.5 mm ² (10 A)
Test Voltage	1.6 kV	-	1.6 kV	2.5 kV
Pollution Degree				3