



AK360/..-7.5-H-GREEN-HC

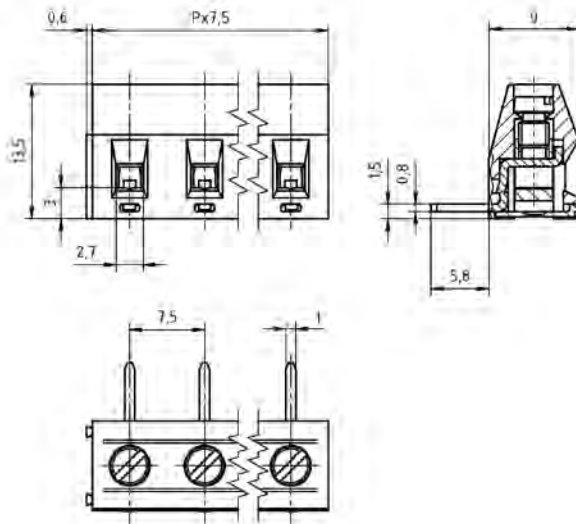
Technical Data

Wire Sizes		Insulating Material	
Solid min	0.14 mm ²	Material	PA 6.6
Solid max	2.5 mm ²	Flammability Class	UL 94 V-0
Stranded (flexible) min	0.14 mm ²	Temperatures	
Stranded (flexible) max	1.5 mm ²	Operating Temperature	-30 °C - 105 °C
Stranded with Ferrule min	0.25 mm ²	Wave Soldering Process	
Stranded with Ferrule max	1.5 mm ²	Soldering Temperature, recommended	265 °C
Dimensions		Peak Soldering Time, recommended	3 s / 10 s
Stripped Length	6.0 mm	Reflow Process	
PCB Hole Diameter	1.3 mm	Soldering Temperature, recommended	-
Materials		Peak Soldering Time, recommended	-
Clamp	Brass		
Screw	Steel		
Solder Tag	Copper Alloy		

Colours

GREEN, RAL 6018 BLACK, RAL 9011

Colours according to RAL, there may be variations on colour due to production conditions. Special colours on request.



Order Data (Spacing 7.5 mm)

Poles	Width (mm)	Article Designation	Article Number	PU
2	15.60	AK360/2-7.5-H-GREEN-HC	50360020209F	200
3	23.10	AK360/3-7.5-H-GREEN-HC	50360030209F	200
4	30.60	AK360/4-7.5-H-GREEN-HC	50360040209F	200
5	38.10	AK360/5-7.5-H-GREEN-HC	50360050209E	100
6	45.60	AK360/6-7.5-H-GREEN-HC	50360060209E	100
7	53.10	AK360/7-7.5-H-GREEN-HC	50360070209E	100
8	60.60	AK360/8-7.5-H-GREEN-HC	50360080209E	100
9	68.10	AK360/9-7.5-H-GREEN-HC	50360090209E	100
10	75.60	AK360/10-7.5-H-GREEN-HC	50360100209D	50
11	83.10	AK360/11-7.5-H-GREEN-HC	50360110209D	50
12	90.60	AK360/12-7.5-H-GREEN-HC	50360120209D	50

Accessories

Figure	Designation	Article Number
	Bridge, 2-pole, insulated, BRV2-7.5/7.62-L8.2-LIGHT GREY	50000000017

See pages 282 ff for detail and general accessories and see pages 12/13 concerning services.

Ratings

Usegroup	c ALUS			VDE	
	B	C	D	750 V	
Rated Voltage	300 V	150 V	300 V	750 V	
Rated Current	19 A	19 A	10 A	24 A	
Rated Wire Size			min		max
	solid	AWG 22-12	AWG 22-12	0.5 mm ²	2.5 mm ²
	stranded	AWG 22-12	AWG 22-12	0.5 mm ²	1.5 mm ²
Torque	0.50 Nm	0.50 Nm	0.50 Nm	0.50 Nm	
Screw Size	M3	M3	M3	M3	
Test Voltage	1.6 kV	1.3 kV	1.6 kV	3.0 kV	